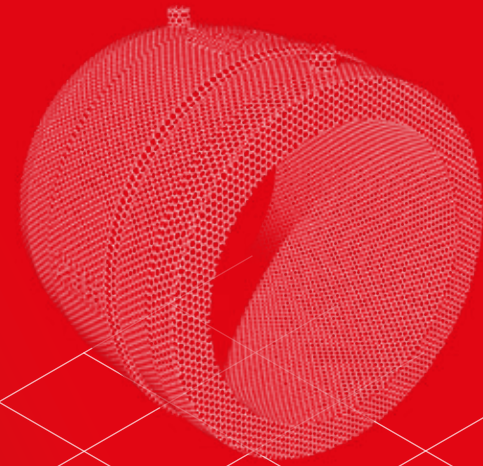
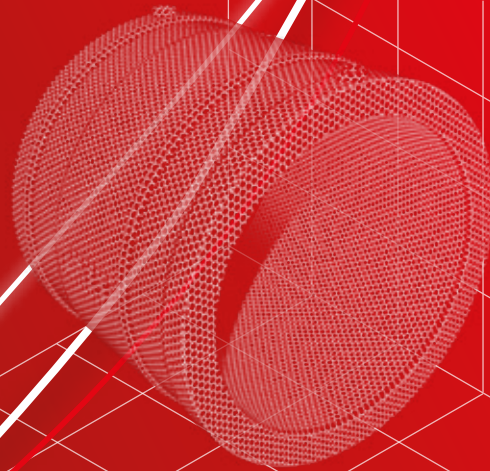
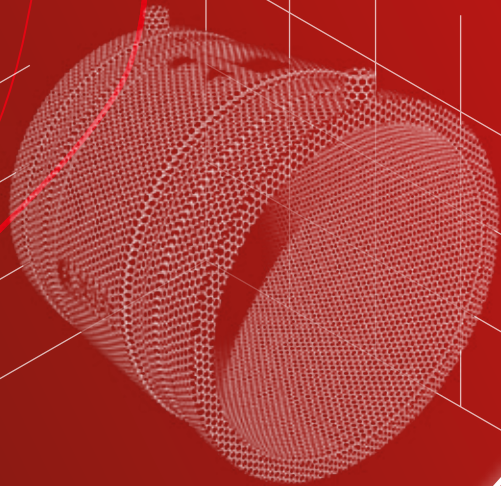


# TECHNICAL DATA



CONNECTING WORLDS

// EDITION FEBRUARY 2020

TECHNICAL DATA // 5

BUTTFUSION FITTINGS // 15

TRANSITION FITTINGS // 29

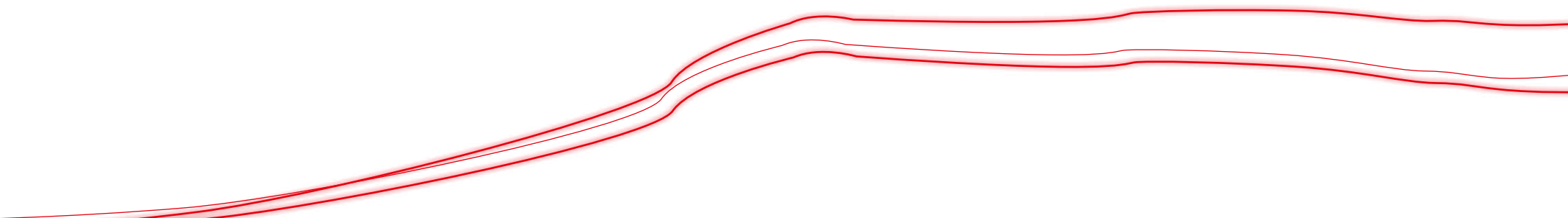
ELECTROFUSION FITTINGS // 47

ELECTROFUSION WELDING UNITS // 65

ACCESSORIES // 71

BUTTFUSION WELDING UNITS // 77

3







# TECHNICAL DATA

DEFINITIONS // POLYETHYLENE CLASSIFICATION //  
MATERIALS // PRODUCT TESTINGS // MARKING //  
LABORATORY ACCREDITATION // CONFORMITY MARKINGS //  
QUALITY SYSTEM CERTIFICATION // ENVIRONMENTAL CERTIFICATION //  
PIPE-FITTINGS DIMENSIONS // PRESSURES // DIMENSIONS //

## // DEFINITIONS

This publication, referring to the UNI, EN and ISO standards, uses the following geometrical definitions:

<b><math>d_n</math></b>	<b>NOMINAL DIAMETER</b>	specified diameter, in millimeters, of a PE pipe or fitting
<b><math>e_n</math></b>	<b>NOMINAL WALL THICKNESS</b>	numerical designation of the wall thickness, in millimeters, of a PE pipe or fitting
<b><math>d_e</math></b>	<b>OUTSIDE DIAMETER</b>	external diameter, in millimeters, measured at any point of the circumference of a PE pipe or fitting spigot end
<b><math>d_{em}</math></b>	<b>MEAN OUTSIDE DIAMETER</b>	dimension value of the external circumference of a PE pipe or fitting spigot end divided by $\pi$ , in millimeters
<b>SDR</b>	<b>STANDARD DIMENSION RATIO</b>	relationship between the outside nominal pipe diameter $d_n$ and the nominal wall thickness $e_n$
<b>D</b>	<b>NOMINAL DIAMETER STEEL PIPE</b>	nominal diameter, in inches, of a steel pipe or in millimeters
<b>G</b>	<b>GAS THREAD DIAMETER</b>	dimension, in inches, of the thread part

## // POLYETHYLENE CLASSIFICATION

The polyethylene classification, defined by the ISO and the EN standards is issued depending on the parameter MRS = MINIMUM REQUIRED STRENGTH, that is the minimum resistance that the polyethylene must guarantee after 50 working years at the reference temperature of 20 °C.

Each MRS has a design stress value  $\sigma_s$ , derived by MRS dividing it with the design coefficient (C). In case of water distribution the UNI EN 12201 standard defines equal to 1,25.

DESIGNATION	MPa	
	MRS	$\sigma_s$ (C=1,25)
PE 80	8,0	6,3
PE 100	10,0	8,0

The choice of the polyethylene type determines the nominal pressure PN of the pipe/fitting. For water distribution, the PN corresponds to the maximum allowable working pressure (PFA) in bar which can be maintained at the temperature of 20 °C with a design basis of 50 years, based on the design coefficient.

# // MATERIALS

CHARACTERISTICS	TYPICAL VALUES	UNITS	TEST METHODS
DENSITY	958 – 959	$\frac{\text{kg}}{\text{m}^3}$	ISO 1183-1
MELT MASS FLOW RATE (MFR) 5 KG/190 °C	0,23 – 0,45	g/10 min	ISO 1133-1
TENSILE STRENGTH AT YIELD	23 – 25	MPa	ISO 527
TENSILE ELONGATION AT BREAK	≥ 350	%	ISO 527
CARBON BLACK CONTENT	2,0 – 2,5	%	ISO 6964
LINEAR THERMAL EXPANSION COEFFICIENT	$2,0 \times 10^{-4}$	$\frac{\text{m}}{\text{m} \text{ } ^\circ\text{C}}$	
BRITTLINESS TEMPERATURE	- 80	°C	ASTM D746

All fittings in the EUROSTANDARD range are injection moulded using polyethylene compounds type PE 100 and PE 100-RC suitable for pipelines for the distribution of gas, water and other fluids under pressure.

The characteristics are in conformity with the standards EN 1555, EN 12201 and EN ISO 15494. The compounds used, normally added at the origin with carbon black for the UV stabilization, are suitable for drinking water and foodstuffs as provided in the D.M. 21 March 1973 and the D.M. n. 174 dated 6 April 2004.

EUROSTANDARD fittings are weldable with PE 80 and 100 pipes and fittings having melt mass-flow rate 0,2 - 1,4 g/10 min (ISO 1133-1 5 kg / 190 °C).

PE 100 fittings are weldable with PE 80 pipes/fittings and viceversa, either using buttfusion (if only of the same nominal thickness and same nominal diameter) or using electrofusion.

# // PRODUCT TESTINGS

EUROSTANDARD fittings are continuously monitored throughout the entire production process in accordance with the internal testing programs in compliance with the standards EN 1555, EN 12201 and EN ISO 15494.

The testing activities are continuously carried out following up the complete observance of the reference standards and foresee tests of mechanical and physical type, either on the fittings and on the raw material.

Particularly, the production is subjected to the following tests:

---

## MELT MASS FLOW RATE (MFR)

UNI EN ISO 1133-1

---

## DIMENSIONAL CONTROL – APPEARANCE TEST – MARKING CONTROL – ELECTRICAL WIRE RESISTANCE

UNI EN 1555

UNI EN 12201

UNI EN ISO 15494

UNI EN ISO 3126

---

## RESISTANCE TO HYDROSTATIC INTERNAL PRESSURE AT 20 °C AND 80 °C

UNI EN ISO 1167

---

## TENSILE STRENGTH ON BUTTFUSION FITTINGS

ISO 13953

---

## IMPACT RESISTANCE ON ELECTROFUSION SADDLES

UNI EN 1716

---

## DECOHESIVE RESISTANCE ON ELECTROFUSION FITTINGS (PEEL TEST AND CRUSH TEST)

ISO 13954

ISO 13955

ISO 13956

---


## OXIDATION INDUCTION TIME (OIT)

ISO 11357-6



## // MARKING

EUROSTANDARD fittings have the following information stated on the fitting and/or on a label:

	producer identification
<b>I00001 01/20</b>	batch reference and/or month and year of manufacture
<b>PN _</b>	nominal pressure rating at 20 °C for water
<b>S _</b>	gas series of pipe
<b>SDR _</b>	standard dimension ratio
<b>d _</b>	nominal size of the fitting (mm)
<b>PE 100</b>	raw material type used
<b>UNI _ EN _ ISO _</b>	product standard
<b>RINA</b>	conformity marking
<b>GRADO B</b>	dimensional tolerance

The barcode label is applied on the electrofusion fittings containing the welding parameters according to standard ISO 13950 and the traceability data of the fitting according to standard ISO 12176-4.

## // LABORATORY ACCREDITATION

The EUROLAB Laboratory, belonging to Eurostandard, operates in accordance to the standard EN ISO/IEC 17025:2018 and is accredited from ACCREDIA - Italian Accreditation Body - with accreditation number 0740L.

The accreditation certifies the technical qualification of the Laboratory relatively to the accreditation field reported in the Test List enclosed to the certificate, downloadable from the website **[www.accredia.it](http://www.accredia.it)**.

The in-force status of the accreditation can be checked on the same website.

# // CONFORMITY MARKINGS

Eurostandard is authorized to use the RINA Quality Marking with reference to the standards UNI EN 12201-3, EN 12201-3, UNI EN 1555-3, EN 1555-3, UNI EN ISO 15494, EN ISO 15494 for the fittings as detailed in the enclosed papers to the Conformity Certificates.

For information on the validity of the Conformity Certificates, visit the website [www.rina.org](http://www.rina.org).

Download of Certificates of Conformity and relevant enclosures on website [www.eurostandard.it](http://www.eurostandard.it).



Eurostandard is also authorized to use several conformity markings of primary international certification bodies operating in the relevant sector. Here below are some examples. For information on the validity of the Conformity Certificates and the applicability to each fitting, please contact Eurostandard.



# // QUALITY SYSTEM CERTIFICATION

## ISO 9001

The **EUROSTANDARD QUALITY MANAGEMENT SYSTEM** involves and manages all activities within the Company in order to achieve the optimum level of the quality standards. That is on the basis of the directions imposed in the ISO 9001 standard, which points out the requirements for an organization that needs to demonstrate its capability to regularly provide products or services which satisfy the client requirements and those mandatory, and wants to increase the satisfaction of its clients.

The codified and controlled management of the company activities is described in the documents which form the System Manual and in the relative managing and technical procedures.

The “Quality & Environment” function guarantees the integration of the various activities which determine the quality of the supplied products and of the system itself.

The correct management of all documents allows the complete traceability of the product through the batch reference number or other codes assigned during the production.

The Eurostandard policy is published on the website [www.eurostandard.it](http://www.eurostandard.it).



# // ENVIRONMENTAL CERTIFICATION

## ISO 14001

The **EUROSTANDARD ENVIRONMENTAL MANAGEMENT SYSTEM** involves and manages all activities within the Company in order to render to the minimum the environmental impacts deriving from themselves and avoid pollution.

This happens in conformity to the prescriptions of the standard ISO 14001, which specifies the requirements of an environmental management system that an organization can use to improve its environmental performances and fulfil the expected and specified results; among these, the fulfilment of the conformity requirements and the achievement of the environmental targets.

The management and control methodologies of the firm activities are described in details in the System Manual and in the environmental procedures.

The Eurostandard policy for environment is published on the website [www.eurostandard.it](http://www.eurostandard.it).



## // PIPE-FITTINGS DIMENSIONS

UNI EN 12201  
UNI EN 1555  
UNI EN ISO 15494

PE 100	SDR 17	SDR 11	SDR 7,4
	PN 10	PN 16	PN 25
d <sub>n</sub>	wall thickness e <sub>n</sub> (mm)	wall thickness e <sub>n</sub> (mm)	wall thickness e <sub>n</sub> (mm)
20	1,8 3,0 ★	2,0 3,0 ★	3,0
25	1,8 3,0 ★	2,3 3,0 ★	3,5
32	2,0 3,0 ★	3,0	4,4
40	2,4 3,0 ★	3,7	5,5
50	3,0	4,6	6,9
63	3,8	5,8	8,6
75	4,5	6,8	10,3
90	5,4	8,2	12,3
110	6,6	10,0	15,1
125	7,4	11,4	17,1
140	8,3	12,7	19,2
160	9,5	14,6	21,9
180	10,7	16,4	24,6
200	11,9	18,2	27,4
225	13,4	20,5	30,8
250	14,8	22,7	34,2
280	16,6	25,4	38,3
315	18,7	28,6	43,1
355	21,1	32,2	48,5
400	23,7	36,3	54,7
450	26,7	40,9	61,5
500	29,7	45,4	
560	33,2	50,8	
630	37,4	57,2	
710	42,1	64,5	

★ minimum thickness outlined by UNI 9034 for gas distribution

## // OPERATING PRESSURES OF PE PIPELINES FOR WATER SUPPLY

UNI EN 12201

°C	MAXIMAL OPERATING PRESSURE (bar) ACCORDING TO TEMPERATURE OF THE CARRIED FLUID					
	PN 8	PN 10	PN 12,5	PN 16	PN 20	PN 25
20	8,0	10,0	12,5	16,0	20,0	25,0
30	7,0	8,7	10,9	13,9	17,4	21,8
40	5,9	7,4	9,3	11,8	14,8	18,5

## // OPERATING PRESSURES OF PE PIPELINES FOR GASEOUS FUELS SUPPLY

D.M. 16.04.2008

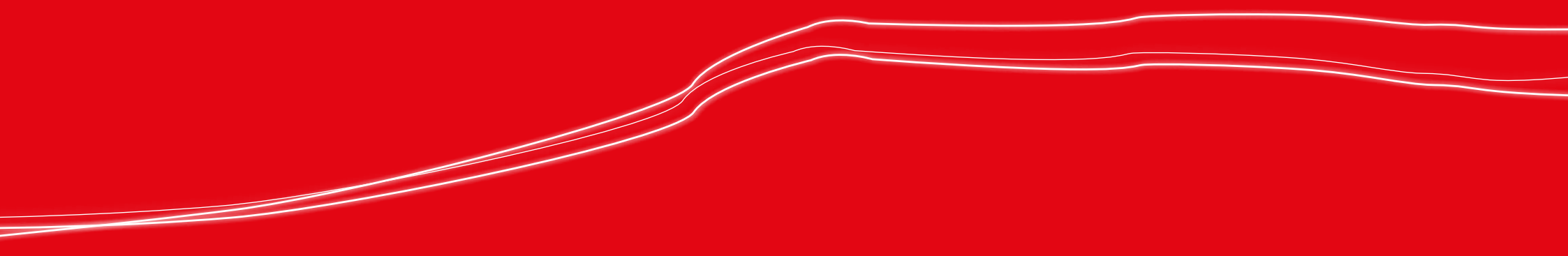
SDR ★	ALLOWED DIAMETERS (mm)	PE 80 PRESSURE (bar)	PE 100 PRESSURE (bar)
17	≥ 50	3,1	3,8
11	≥ 16 ★	5	5

★ minimum thickness outlined by UNI 9034

## // DIMENSIONS

All dimensions are in millimeters and are intended as nominal and standard sizes; weights are in grams.

EUROSTANDARD reserves the right to change geometries and dimensions of any product.



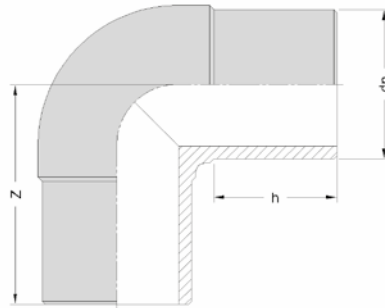




## BUTTFUSION FITTINGS

90° ELBOW // 45° ELBOW // 90° AND 45° SEGMENT BEND // 90° TEE //  
90° REDUCED TEE MOULDED // 90° REDUCED TEE ASSEMBLED // STUB END //  
STUB END FOR BUTTERFLY VALVE // STUB END/PP FLANGE SYSTEM //  
CAP // REDUCER //

**COD. 20.10**  
**90° ELBOW**



16

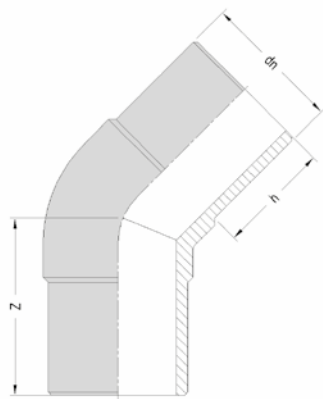
DIMENSIONS			WEIGHTS		
dn	h	Z	SDR 17	SDR 11	SDR 7,4
			PN 10	PN 16	PN 25
20	49	75		30	
25	53	80		50	
32	59	89		55	65
40	59	85		75	100
50	60	89		120	175
63	68	103		235	310
75	75	130		385	540
90	84	147	470	640	875
110	86	160	780	1050	1460
125	89	159	915	1310	1800
140	94	172	1250	1795	2500
160	115	225	2155	3000	4100
180	121	235	2675	3985	
200	127	252	3335	5100	
225	138	274	5600	7720	
250	143	300	7400	10350	
280	170	343	9976	13757	
315	180	392	12440	18750	
355			•	•	
400			•	•	
450			•	•	
500			•	•	

• on request

- Moulded in PE 100 with long collar
- Buttfusion unadvised for diam. < 63 mm

## COD. 20.15

# 45° ELBOW

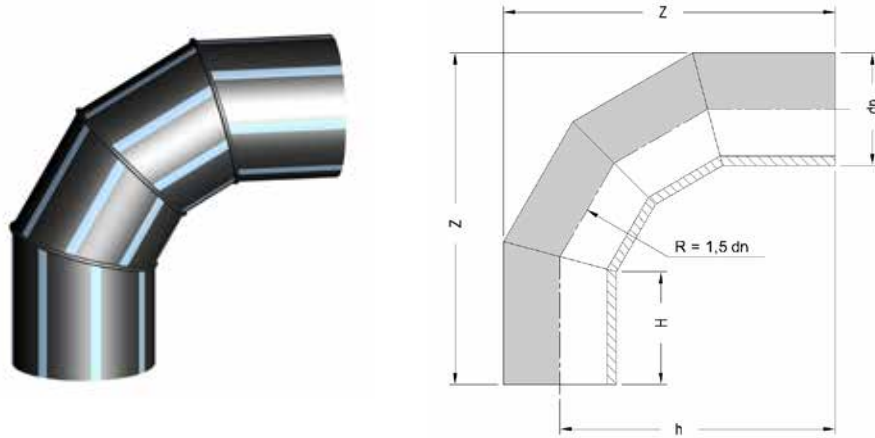


DIMENSIONS			WEIGHTS		
dn	h	Z	SDR 17	SDR 11	SDR 7,4
			PN 10	PN 16	PN 25
32	50	64		40	50
40	59	71		65	100
50	60	74		105	150
63	68	85		190	255
75	73	92		290	400
90	83	106	350	480	640
110	84	112	495	720	1000
125	89	125	740	1045	1500
140	95	128	970	1390	1950
160	100	142	1365	1990	2800
180	125	183	2300	3355	
200	131	197	3150	4385	
225	134	213	4360	6110	
250	142	232	5750	8140	
280	170	245	6875	10120	
315	210	318	11980	17000	
355			•	•	
400			•	•	
450			•	•	
500			•	•	

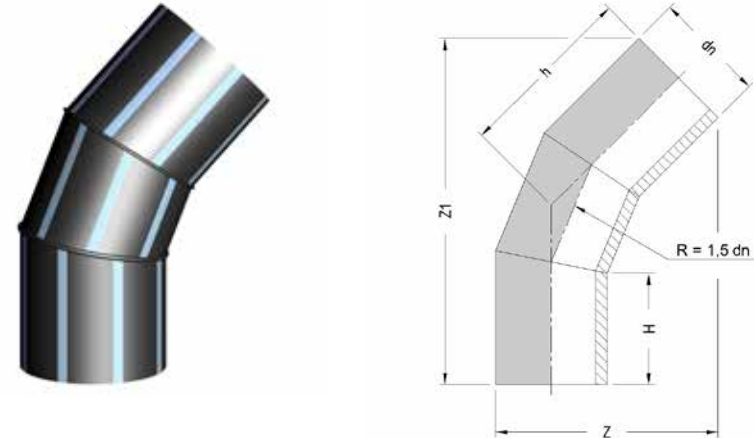
• on request

- Moulded in PE 100 with long collar
- Buttfusion unadvised for diam. < 63 mm

**COD. 20.12**  
**90° SEGMENT BEND**



**COD. 20.17**  
**45° SEGMENT BEND**



DIMENSIONS *					WEIGHTS	
dn	H	Z	h	R	SDR 17	SDR 11
					PN 10	PN 16
355	300	913	737	533	29000	42800
400	300	992	792	600	36700	54350
450	300	1079	854	675	53700	79480
500	300	1166	916	750	66300	98000
560	350	1319	1039	840	94160	139260
630	350	1441	1126	945	126300	186800

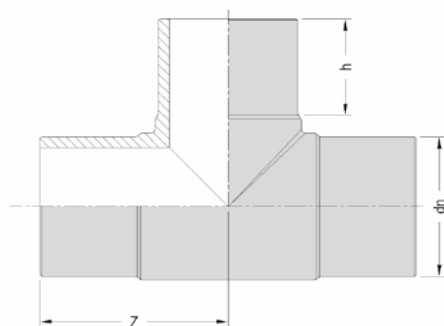
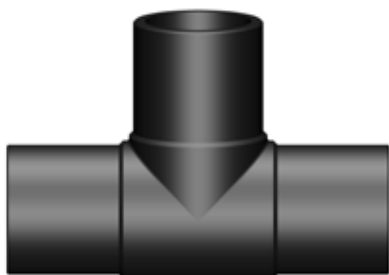
DIMENSIONS *						WEIGHTS	
dn	H	Z	Z1	h	R	SDR 17	SDR 11
						PN 10	PN 16
355	300	621	893	449	533	22000	33000
400	300	674	944	470	600	29000	42000
450	300	731	996	490	675	36000	53000
500	300	788	1048	510	750	53000	78400
560	350	892	1197	585	840	66500	98300
630	350	973	1273	615	945	87750	129700

\* DIMENSIONS AND WEIGHTS MAY BE CHANGED

\_ On request 90° and 45° segment bend SDR 7,4 PN 25

\_ A derating factor of 0,8 shall be applied to the indicated PN (of the pipe): maximum allowable operating pressure = PN x 0,8

**COD. 20.20**  
**90° TEE**



DIMENSIONS			WEIGHTS		
dn	h	Z	SDR 17	SDR 11	SDR 7,4
			PN 10	PN 16	PN 25
20	59	80		45	
25	60	76		55	
32	60	82		75	100
40	59	84		115	150
50	60	89		180	250
63	67	103		320	460
75	74	126		540	800
90	80	135	580	850	1170
110	95	162	975	1490	2000
125	90	185	1540	2230	2650
140	95	182	1790	2688	3500
160	106	216	3030	4300	5150
180	124	243	4140	5840	
200	130	259	5150	7780	
225	136	282	7690	11370	
250	142	307	13310	14850	
280	170	358	15783	21571	
315	178	388	21940	29790	
355			•	•	
400			•	•	
450			•	•	
500			•	•	

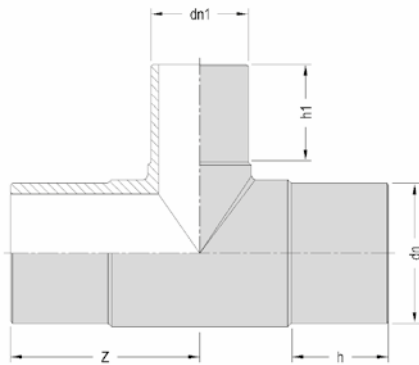
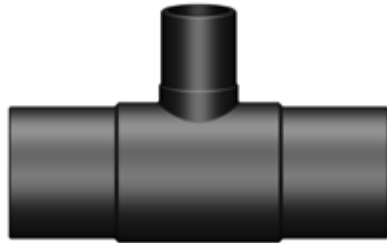
• on request

- Moulded in PE 100 with long collar
- Buttfusion unadvised for diam. < 63 mm

**COD. 20.21**

# 90° REDUCED TEE MOULDED

20



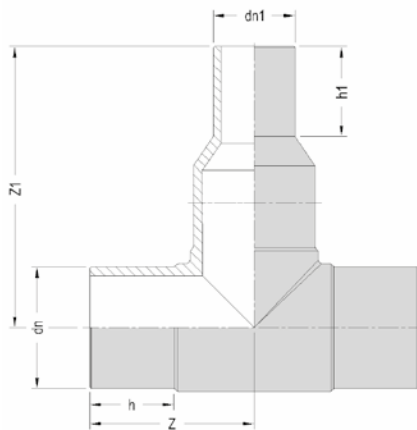
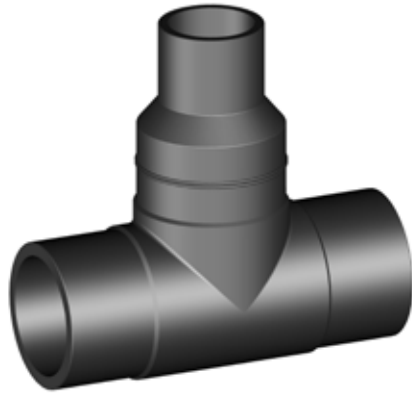
DIMENSIONS					WEIGHTS	
dn	dn1	h	h1	Z	SDR 17	SDR 11
					PN 10	PN 16
90	63	90	74	147		830
110	63	87	80	162		1370
110	90	87	89	162		1430
125	63	88	80	185		1970
125	90	88	85	185	1450	2060
125	110	88	88	185	1600	2270
160	90	105	85	216	2630	3680
160	110	105	91	216	2770	3770
200	63	130	80	258		6320
200	110	130	93	258	4710	6520
200	160	130	115	258	4900	7040
225	110	126	90	279	7160	9600
225	160	126	114	279	7500	10090
250	110	136	90	305	9500	12950
250	160	136	114	305	10140	13360

- Moulded in PE 100 with long collar
- Alternative electrofusion solution: spigot saddle (cod. 21.20)



**COD. 20.21**

**90° REDUCED TEE ASSEMBLED**



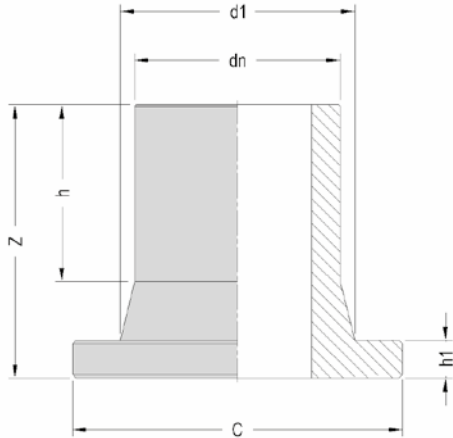
DIMENSIONS						WEIGHTS		
dn	dn1	h	h1	Z	Z1	SDR 17	SDR 11	SDR 7,4
						PN 10	PN 16	PN 25
63	32	67	61	103	180		370	570
63	40	67	52	103	175		365	590
63	50	67	57	103	173		440	545
75	40	74	60	126	202		640	871
75	50	74	59	126	208		625	895
75	63	74	67	126	208		660	935
90	50	80	61	135	216	700	975	1490
90	63	80	68	135	224	715		1370
90	75	80	71	135	217	780	1015	1600
110	50	95	57	162	252	1705	1635	
110	63	95	69	162	263	1115		2430
110	75	95	72	162	251	1705	1705	2490
110	90	95	81	162	257	1170		2370
125	75	90	78	185	257	1630	2180	2680
125	90	90	81	185	255			3450
125	110	90	84	185	256			3580
140	90	95	80	182	293	3045	2900	4630
140	110	95	83	182	282	2255	2920	4685
140	125	95	89	182	286	2300	3030	4850

DIMENSIONS						WEIGHTS		
dn	dn1	h	h1	Z	Z1	SDR 17	SDR 11	SDR 7,4
						PN 10	PN 16	PN 25
160	110	106	86	216	317			6915
160	125	106	91	216	308	3365	4470	6970
160	140	106	92	216	306	3435	5005	7100
180	125	124	88	243	357	5120	6510	
180	140	124	96	243	360	5190	6645	
180	160	124	101	243	361	5295	6760	
200	140	130	95	259	376	6380	8360	
200	180	130	109	259	379	6510	9400	
225	90	136	90	282	451	8030	10700	
225	125	136	100	282	462	8780	10995	
225	180	136	125	282	436	9030	11960	
225	200	136	130	282	428	9230	12865	
250	180	142	124	307	474	11700	15775	
250	200	142	130	307	469	11450	17420	
250	225	142	134	307	466	12120	16185	
315	160	178	110	388	641	21500	30585	
315	200	178	130	388	608	22815	32595	
315	225	178	138	388	605	24980	30400	
315	250	178	150	388	597	28600	31400	

- On request other diameters assembled by buttfusion system with a reducer on the central exit
- Alternative electrofusion solution: spigot saddle (cod. 21.20)
- Delivery times to be agreed according to quantity

**COD. 20.30**  
**STUB END**

22



dn	DIMENSIONS									WEIGHTS				
	h			h1			Z			d1	C	SDR 17	SDR 11	SDR 7,4
	PN 10	PN 16	PN 25	PN 10	PN 16	PN 25	PN 10	PN 16	PN 25			PN 10	PN 16	PN 25
20			45			7			67	27	45			25
25		48	50		9	10		75	75	33	58		40	45
32		68	69		10	11		96	95	40	68		65	80
40	63	62	69	11	11	12	87	87	94	50	78	70	80	100
50	62	61	66	12	12	13	88	95	94	61	88	100	120	150
63	66	86	65	14	14	16	98	120	96	75	102	145	180	255
75	74	94	68	16	16	18	116	130	109	89	122	250	285	400
90	98	97	81	17	17	20	140	140	121	105	138	350	405	610
110	112	112	87	18	18	21	155	153	128	125	158	485	610	875
125	93	122	107	18	25	28	131	167	161	132	158	505	820	1225
140	104	108	105	18	25	29	154	156	159	155	187	895	1140	1650
160	109	106	104	18	30	29	156	159	160	175	212	1035	1520	2060
180	118	145	114	20	30	36	169	196	175	183	212	1140	1940	2400
200	116	112	112	24	32	36	181	182	188	232	268	2120	3000	3830
225	125	152	143	24	32	36	190	219	209	235	268	2130	3140	4200
250	134	133	123	25	35	40	205	205	203	285	320	3370	4695	5000
280	165	165	164	25	35	40	220	230	234	291	320	3400	5170	•
315	202	205	143	25	35	45	267	275	228	335	370	5300	9200	•
355	200	200		30	40		270	280		373	430	9000	10700	
400	230	230		38	48		308	310		427	482	10500	15150	
450												•	•	
500												•	•	
560												•	•	
630												•	•	

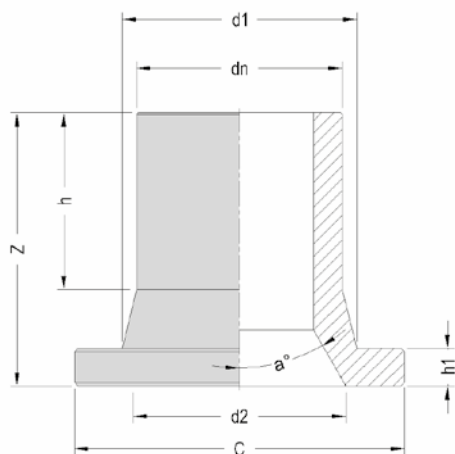
stub end complete with NBR gasket

• on request

- Moulded in PE 100 with long collar
- Buttfusion unadvised for diam. < 63 mm

**COD. 20.34**

# STUB END FOR BUTTERFLY VALVE

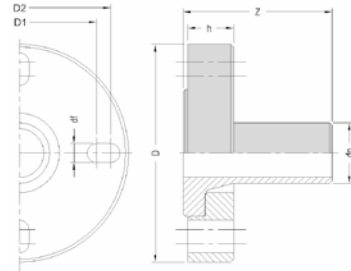


dn	DIMENSIONS								WEIGHTS								
	h		h1		Z		d1		C		a°		d2		dn	SDR 17	SDR 11
	PN 10	PN 16	PN 10	PN 16	PN 10	PN 16			PN 10	PN 16	PN 10	PN 16	Butterfly valve	PN 10	PN 16		
110	112	112	18	18	155	153	125	158			30		104		100	485	
110	112	112	18	18	155	153	125	158			30		104		100		610
140		108		25		156	155	187			35		125		125		1140
160	109	106	18	30	156	159	175	212			30		149		150	1035	
160	109	106	18	30	156	159	175	212			30		161		150		1520
180		145		30		196	183	212			30		160		150		1940
200	116	112	24	32	181	182	232	268			25		210		200	2120	
200	116	112	24	32	181	182	232	268			25		213		200		3000
225	125	152	24	32	190	219	235	268			30		208		200	2130	
225	125	152	24	32	190	219	235	268			30		212		200		3140
250	134	133	25	35	205	205	285	320			25		258		250	3370	
250	134	133	25	35	205	205	285	320			30		265		250		4695
280	165	165	25	35	220	230	291	320			20		255		250	3400	
280	165	165	25	35	220	230	291	320			25		260		250		5170
315	202	205	25	35	267	275	335	370			20		304		300	5300	
315	202	205	25	35	267	275	335	370			25		308		300		9200

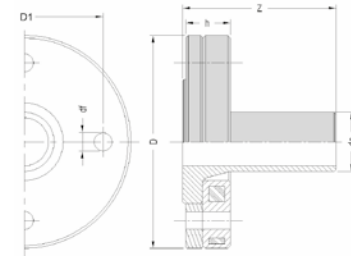
— Moulded in PE 100 with long collar

# COD. 20.47 STUB END/PP FLANGE SYSTEM

24



type A - stub end and PP flange



type B - stub end, steel-PP covered flange and PP ring

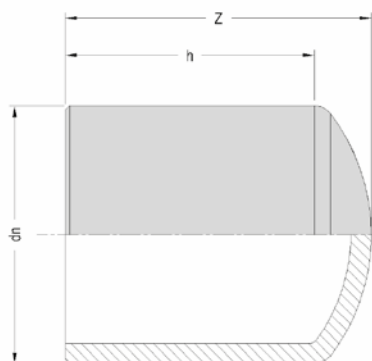
dn	D STEEL	DIMENSIONI							HOLES N.	PN	TYPE	PESI
		D	D1	D2	h	Z	df					
40	32/40	150	100	110	24	87	18	4	PN16	A	320	
50	40/50	165	110	125	28	95	18	4	PN16	A	430	
63	50/60/65	184	125	145	30	120	18	4	PN16	A	590	
75	60/65/80	200	135	160	33	130	18	8	PN16	A	780	
90	80	200	160		33	140	18	8	PN16	A	875	
110	100	220	180		35	124	18	8	PN16	A	1135	
125	100	220	180		35	167	18	8	PN16	A	1365	
140	125	250	210		48	156	18	8	PN16	B	4191	
160	150	285	240		53	159	22	8	PN16	B	5501	
180	150	285	240		53	196	22	8	PN16	B	5880	
200	200	340	295		57	182	22	12	PN16	B	7641	
225	200	340	295		57	219	22	12	PN16	B	8931	
250	250	419	355		66	205	26	12	PN16	B	11425	
280	250	419	355		66	230	26	12	PN16	B	11700	
315	300	478	410		67	275	26	12	PN16	B	19450	
200	200	340	295		57	182	22	8	PN10	B	7331	
225	200	340	295		57	219	22	8	PN10	B	7831	
250	250	395	350		63	205	22	12	PN10	B	11430	
280	250	395	350		63	235	22	12	PN10	B	10500	
315	300	445	400		67	275	22	12	PN10	B	18460	

stub end complete with NBR gasket

- For the correct assembling use NBR gaskets
- Maximum tightness guarantee
- No deformation
- Tightening of the thread bar/bolts according to cross sequence

# COD. 20.35

## CAP

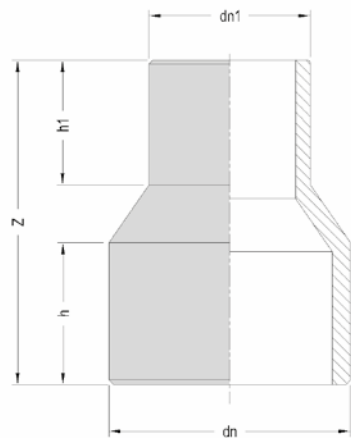


DIMENSIONS			WEIGHTS		
dn	h	Z	SDR 17	SDR 11	SDR 7,4
			PN 10	PN 16	PN 25
20	54	59			15
25	60	68		15	20
32	53	59		20	40
40	57	68	31	35	42
50	61	74	37	50	76
63	64	80	65	85	115
75	74	89	100	150	200
90	82	100	165	230	340
110	91	118	270	405	600
125	102	122	350	570	790
140	103	125	450	780	1150
160	101	134	665	960	1500
180	114	150	970	1450	
200	119	163	1310	1890	
225	124	180	1750	2660	
250	132	179	2275	3355	
280	170	278	3900 ■	5500 ■	
315	175	298	5100	7540	

■ in preparation

- Moulded in PE 100 with long collar
- Buttfusion unadvised for diam. < 63 mm

**COD. 20.50**  
**REDUCER**



● on request

- Moulded in PE 100 with long collar
- Buttfusion unadvised for diam. < 63 mm

DIMENSIONS					WEIGHTS		
dn	dn1	h	h1	Z	SDR 17	SDR 11	SDR 7,4
					PN 10	PN 16	PN 25
25	20	49	50	113		20	20
32	20	55	52	124		30	
32	25	61	59	130		30	30
40	20	59	52	130		40	
40	25	59	54	128		40	
40	32	61	48	125	40	45	70
50	25	60	50	135		60	80
50	32	60	47	134		65	90
50	40	60	62	134	55	75	110
63	25	64	57	140		90	
63	32	62	63	142	70		
63	32	65	58	142		100	
63	32	63	62	143			130
63	40	68	52	139	70	105	150
63	50	63	57	132	80	120	150
75	40	72	60	147	105	165	230
75	50	72	59	153	110	165	240
75	63	73	67	154	135	200	280
90	50	82	61	162	180	260	345
90	63	80	68	169	180	280	400
90	75	83	71	164	205	305	445
110	50	88	57	177	280	400	
110	63	87	69	188	285	410	555
110	75	85	72	173	285	425	620
110	90	86	81	181	330	485	690
125	63	96	68	199		600	
125	75	95	78	191	385	610	790
125	90	96	81	191	430	625	855
125	110	96	84	192	460	720	985
140	90	95	80	205	555	815	1145
140	110	94	83	193	560	870	1215
140	125	95	89	198	590	990	1380
160	90	101	82	221	775	1040	
160	110	101	103	270	950		
160	110	101	86	218		1160	1565
160	125	101	91	208	735	1155	1645
160	140	101	92	206	835	1235	1780

DIMENSIONS					WEIGHTS		
dn	dn1	h	h1	Z	SDR 17	SDR 11	SDR 7,4
					PN 10	PN 16	PN 25
180	90	110	90	262	990	1430	
180	125	107	88	220	1040	1515	
180	140	105	96	221	1060	1610	
180	140	130	100	245			2300
180	160	107	101	224	1165	1725	
180	160	130	103	245			2700
200	110	130	100	275	1300	1900	
200	140	115	95	231	1330	1940	
200	140	123	100	251			3100
200	160	116	101	252	1430	2155	
200	160	131	99	250			3100
200	180	117	109	236	1460	2300	
200	180	126	113	251			3100
225	90	121	89	298	1860		
225	90	130	99	311		2790	
225	125	131	100	288	1930		
225	125	130	89	300		3500	
225	160	130	117	288	2040		
225	160	133	117	291		3085	4100
225	180	132	125	285	2180	3010	4100
225	200	132	130	277	2380	3465	4100
250	160	135	115	315	2670		
250	160	140	120	320		4110	
250	180	138	124	304	2700	3950	
250	200	140	130	301	2450	4420	
250	225	137	134	296	2855	4630	
280	200	172	123	340	4800	5400	
280	225	168	138	334	4700	5200	
280	250	158	148	322	4500	5000	
315	160	98★	110	351	3800	5650	
315	200	169	132	390	5100		
315	200	171	128	386		7330	
315	225	173	138	389	5180	8030	
315	250	173	150	381	5200	8250	
315	280	175	155	320	6000	7600	
355	250				●	●	
355	280				●	●	
355	315				●	●	
400	280				●	●	
400	315				●	●	
400	355				●	●	

★ diam. 315 with short collar







# TRANSITION FITTINGS

STEEL/PE COUPLING // TRANSITION INSERT // STEEL/PE COUPLING //  
COPPER/PE COUPLING // STEEL/PE COUPLING WITH EXTENSION AND  
THREAD // EF TRANSITION SOCKET // EF TRANSITION 90° AND 45° ELBOW //  
EF TRANSITION SOCKET WITH FREE NUT // EF TRANSITION 90° AND 45°  
ELBOW WITH FREE NUT // EF TRANSITION SPIGOT SADDLE //  
EF SPIGOT SADDLE FOR SHUT-OFF EQUIPMENT //  
STEEL PP COVERED FLANGE // ALUMINIUM FLANGE //  
STEEL FLANGE // BLANK STEEL FLANGE //

With reference to the Regulation N. 1907/2006 (CE) of the European Parliament and the Council of 18th December 2006 concerning the registration, the evaluation, the authorisation and the restriction of chemicals (REACH), with special reference to certain components made of brass integrated on electrofusion fittings and electrofusion transition fittings, visit the special "REACH Declaration" on the website [www.eurostandard.it](http://www.eurostandard.it) in the area Documents > Declarations

COD. 20.60

## STEEL/PE COUPLING

SDR 11 - PN 16

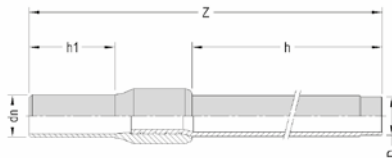
type A



type F



type H



## CLEARLY SPECIFY THE REQUESTED VERSION

- \_ 20.60 A galvanized
- \_ 20.60 F galvanized with thread
- \_ 20.60 H galvanized coated with thread

DIMENSIONS							WEIGHTS		
dn	D	STEEL EXTERNAL DIAMETER	STEEL THICKNESS	h	h1	Z	TYPE A	TYPE F	TYPE H
25	¾"	26,9	2,6	300	97	495	635	635	640
32	1"	33,7	3,2	300	103	499	945	945	1005
40	1" ¼	42,4	3,2	300	106	508	1220	1220	1250
50	1" ½	48,3	3,2	300	117	516	1430	1430	1545
63	2"	60,3	3,6	300	135	545	2120	2120	2270
75	2" ½	76,1	3,6	300	165	580	2900	2900	3000
90	3"	88,9	4,0	300	162	590	3450	3450	3860
110	4"	114,3	4,5	300	203	635	5650	5650	5980
125	4"	114,3	4,5	300	205	630	5950	5950	6180

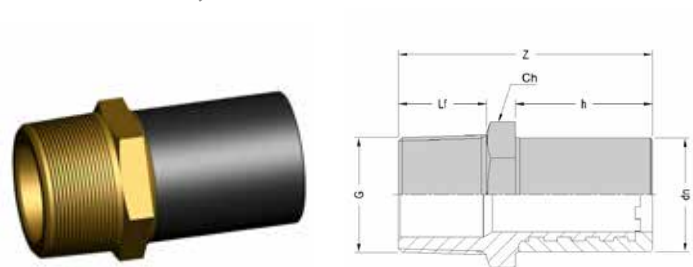
- \_ Do not cut the steel part as it could origin deformations on PE collar due to overheating
- \_ Suitable for gas 🔥 and water 💧 pipelines
- \_ Steel pipe according to UNI EN ISO 3183 and galvanized according to UNI EN 10240 A.1 ("lead free galvanized pipe")

- \_ Type A: galvanization removed on the end steel section where the welding is carried out
- \_ Type H: steel pipe coating according to standard UNI 9099 with triple coat (R3) and with reinforced thickness class (R)
- \_ On request type galvanized coated pipe for welding
- \_ Buttfusion unadvised for diam < 63 mm

COD. 21.77 - COD. 21.78

# TRANSITION INSERT IN BRASS

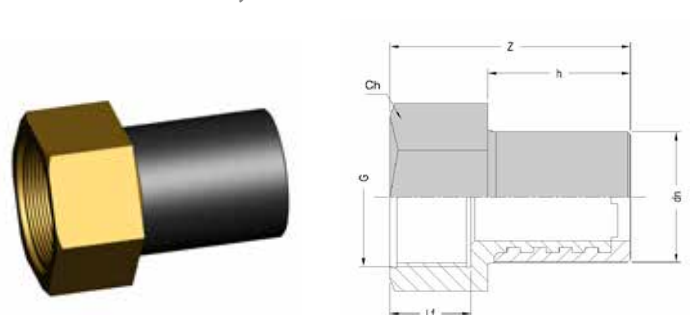
MALE SDR 7,4 - PN 25



DIMENSIONS						WEIGHTS
dn	G	Lf	h	Z	Ch	
20	1/2"	15	41	61	22	60
25	3/4"	16	41	62	27	90
32	1"	19	44	70	34	150
40	1" 1/4	21	49	78	42	250
50	1" 1/2	23	55	88	52	377
63	2"	26	63	100	65	650
75	2" 1/2	31	70	113	86	1105
90	3"	34	79	125	97	1630
110	4"	40	82	134	125	2290

Ch = tightening key size

FEMALE SDR 7,4 - PN 25



DIMENSIONS						WEIGHTS
dn	G	Lf	h	Z	Ch	
20	1/2"	15	41	59	27	85
25	3/4"	17	41	61	34	130
32	1"	19	44	66	40	180
40	1" 1/4	21	49	76	50	315
50	1" 1/2	21	55	82	55	405
63	2"	28	63	96	67	660
75	2" 1/2	34	70	109	86	1105
90	3"	37	79	121	97	1520
110	4"	43	82	130	125	2330

Ch = tightening key size

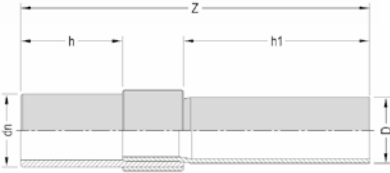
- Moulded in PE 100-RC
- Weldable with electrofusion EURO SDR 11 and SDR 7,4 fittings - in case of use with other brand fittings, please contact EUROSTANDARD in advance
- Extension of the metallic overmoulded part on the whole length
- Suitable for gas and water pipelines

- Measure and respect the insertion depth inside the electrofusion fitting
- Weld only using electrofusion fittings
- Scraping of the PE end is compulsory
- During the screwing, lock the metallic hexagon to avoid any stress on the PE part

COD. 20.65

## STEEL/PE COUPLING

SDR 11 - PN 16



DIMENSIONS							WEIGHTS
dn	D	STEEL EXTERNAL DIAMETER	STEEL THICKNESS	h	h1	Z	
140	5"	139,7	4,8	240	310	690	12200
160	6"	168,3	4,8	270	310	720	14900
180	6"	168,3	4,8	270	310	720	18100
200	8"	219,1	6,4	310	310	785	27190
225	8"	219,1	6,4	310	310	785	30150
250	10"	273,0	6,3	310	310	800	35750
280	10"	273,0	5,6				•
315	12"	323,9	6,3				•

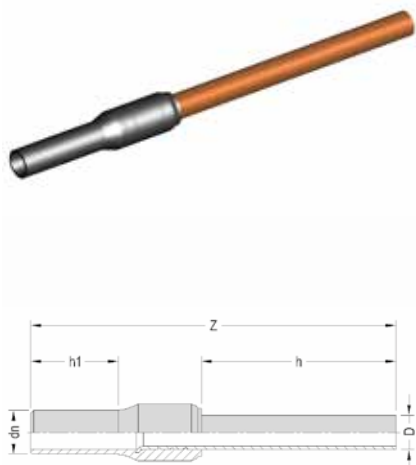
• on request

- Suitable for gas 🔥 and water 💧 pipelines
- Steel pipe according to UNI EN ISO 3183 or ANSI/API 5L gr. B and galvanized according to UNI EN 10240 A.1 ("lead free galvanized pipe")
- Galvanizing removed on the welding end
- Do not cut the steel part as it could origin deformations on PE collar due to overheating

COD. 20.62

## COPPER/PE COUPLING

SDR 11 - PN 16



DIMENSIONS						WEIGHTS
dn	D	COPPER THICKNESS	h	h1	Z	
25	18	1,5	300	97	495	335
25	22	1,5	300	97	495	375
32	22	1,5	300	103	500	425
32	28	1,5	300	103	500	490

- Copper pipe according to standard UNI EN 1057
- Suitable for gas 🔥 and water 💧 pipelines
- Buttfusion welding unadvised
- For gas networks according to standard UNI 7129-1

**COD. 20.61**

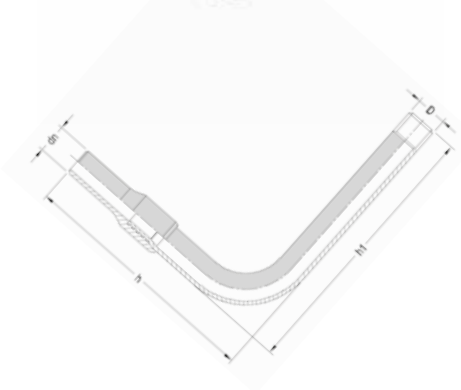
**STEEL/PE COUPLING WITH EXTENSION AND THREAD**

SDR 11 - PN 16

type A



type R



**CLEARLY SPECIFY THE REQUESTED VERSION**

- \_ 20.61 A galvanized
- \_ 20.61 R galvanized coated

DIMENSIONS						WEIGHTS	
dn	D	STEEL EXTERNAL DIAMETER	STEEL THICKNESS	h	h1	TYPE A	TYPE R
25	3/4"	26,9	2,6	520	820	1720	2020
32	1"	33,7	3,2	530	825	2750	2900
40	1" 1/4	42,4	3,2	555	835	3120	3500
50	1" 1/2	48,3	3,2	640	760	3850	4450
63	2"	60,3	3,6	780	700	5800	6150

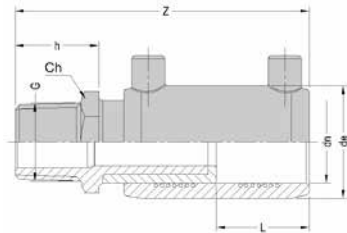
- \_ Steel pipe according to UNI EN ISO 3183 and galvanized according to UNI EN 10240 A.1 ("lead free galvanized pipe")
- \_ Suitable for gas 🔥 and water 💧 pipelines
- \_ Buttfusion unadvised for diam < 63 mm
- \_ For gas networks according to standard UNI 7129-1
- \_ On request type for welding



COD. 21.61 - COD. 21.62

# ELECTROFUSION TRANSITION SOCKET WITH BRASS INSERT

MALE SDR 7,4 - PN 25



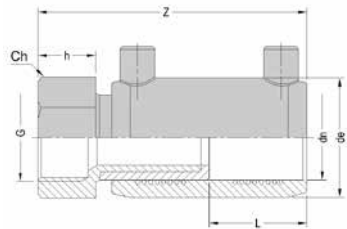
dn	DIMENSIONS						WEIGHTS
	G	de	L	h	Z	Ch	
20	1/2"	33	33	20	96	22	110
25	3/4"	38	33	21	97	27	150
32	1"	46	38	26	111	34	229
40	1 1/4"	56	44	29	124	42	363
50	1 1/2"	68	49	33	139	52	558
63	2"	82	54	37	158	65	889
75	2 1/2"	99	60	43	173	86	1431
90	3"	116	65	46	190	97	2130
110	4"	145	70	52	204	125	3110

Ch = tightening key size

dn	WELDABILITY ON PIPE/FITTING PE 100			
	SDR 17	SDR 11	SDR 9	SDR 7,4
20		• ▲	• ▲	•
25		• ▲	•	•
32		•	•	•
40		•	•	•
50		•	•	•
63		•	•	•
75	•	•	•	•
90	•	•	•	•
110	•	•	•	•

▲ minimum weldable thickness 3 mm

FEMALE SDR 7,4 - PN 25



dn	DIMENSIONS						WEIGHTS
	G	de	L	h	Z	Ch	
20	1/2"	33	33	18	94	27	136
25	3/4"	38	33	20	96	34	186
32	1"	46	38	22	107	40	256
40	1 1/4"	56	44	27	122	50	432
50	1 1/2"	68	49	27	133	55	587
63	2"	82	54	33	154	67	882
75	2 1/2"	99	60	39	169	86	1445
90	3"	116	65	42	186	97	2031
110	4"	145	70	48	200	125	3050

Ch = tightening key size

dn	WELDABILITY ON PIPE/FITTING PE 100			
	SDR 17	SDR 11	SDR 9	SDR 7,4
20		• ▲	• ▲	•
25		• ▲	•	•
32		•	•	•
40		•	•	•
50		•	•	•
63		•	•	•
75	•	•	•	•
90	•	•	•	•
110	•	•	•	•

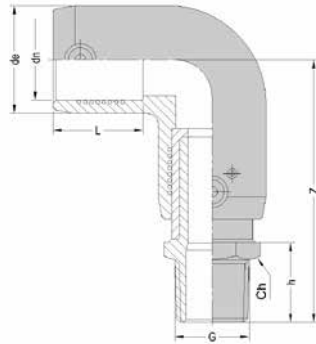
▲ minimum weldable thickness 3 mm

- Moulded in PE 100-RC
- During the screwing, lock the metallic hexagon to avoid any stress on the PE part
- Suitable for gas 🔥 and water 💧 pipelines
- Do not remove the insert

**COD. 21.65 - COD. 21.66**

# ELECTROFUSION TRANSITION 90° ELBOW WITH BRASS INSERT

**MALE SDR 7,4 - PN 25**



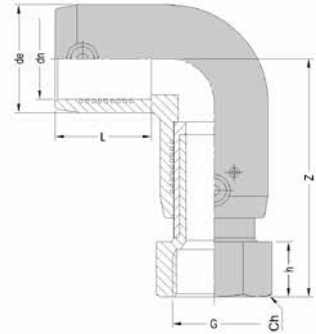
DIMENSIONS							WEIGHTS
dn	G	de	L	h	Z	Ch	
20	1/2"	34	33	20	81	22	105
25	3/4"	38	33	21	83	27	125
32	1"	46	39	26	106	34	285
40	1 1/4"	56	48	29	114	42	455
50	1 1/2"	68	54	33	129	52	705
63	2"	83	52	37	151	65	1120
75	2 1/2"	97	64	43	169	86	1725
90	3"	116	70	46	190	97	2635
110	4"	142	76	52	210	125	3865

Ch = tightening key size

WELDABILITY ON PIPE/FITTING PE 100				
dn	SDR 17	SDR 11	SDR 9	SDR 7,4
20		● ▲	● ▲	●
25		● ▲	●	●
32		●	●	●
40		●	●	●
50		●	●	●
63		●	●	●
75	●	●	●	●
90	●	●	●	●
110	●	●	●	●

▲ minimum weldable thickness 3 mm

**FEMALE SDR 7,4 - PN 25**



DIMENSIONS							WEIGHTS
dn	G	de	L	h	Z	Ch	
20	1/2"	34	33	18	79	27	160
25	3/4"	38	33	20	82	34	220
32	1"	46	39	22	102	40	310
40	1 1/4"	56	48	27	111	50	525
50	1 1/2"	68	54	27	121	55	735
63	2"	83	52	33	147	67	1105
75	2 1/2"	97	64	39	165	86	1735
90	3"	116	70	42	186	97	2575
110	4"	142	76	48	206	125	4125

Ch = tightening key size

WELDABILITY ON PIPE/FITTING PE 100				
dn	SDR 17	SDR 11	SDR 9	SDR 7,4
20		● ▲	● ▲	●
25		● ▲	●	●
32		●	●	●
40		●	●	●
50		●	●	●
63		●	●	●
75	●	●	●	●
90	●	●	●	●
110	●	●	●	●

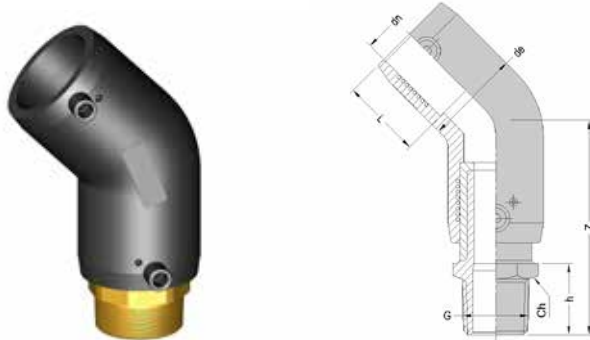
▲ minimum weldable thickness 3 mm

- Moulded in PE 100-RC
- During the screwing, lock the metallic hexagon to avoid any stress on the PE part
- Suitable for gas and water pipelines
- Do not remove the insert

COD. 21.67 - COD. 21.68

# ELECTROFUSION TRANSITION 45° ELBOW WITH BRASS INSERT

MALE SDR 7,4 - PN 25



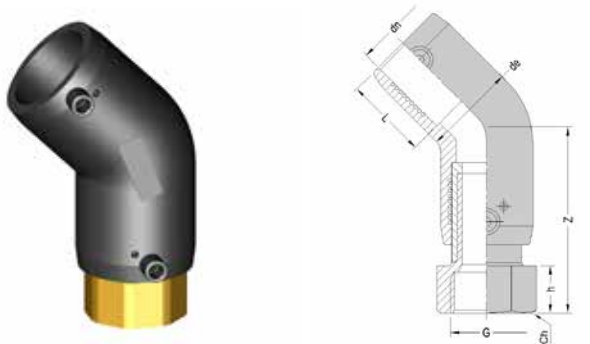
DIMENSIONS							WEIGHTS
dn	G	de	L	h	Z	Ch	
25	¾"	39	33	21	76	27	125
32	1"	46	39	26	88	34	260
40	1" ¼	56	48	29	104	42	425
50	1" ½	68	54	33	114	52	650
63	2"	82	52	37	133	65	1050
75	2" ½	97	64	43	151	86	1680
90	3"	116	70	46	170	97	2500
110	4"	142	76	52	178	125	3630

Ch = tightening key size

WELDABILITY ON PIPE/FITTING PE 100				
dn	SDR 17	SDR 11	SDR 9	SDR 7,4
25		• ▲	•	•
32		•	•	•
40		•	•	•
50		•	•	•
63		•	•	•
75	•	•	•	•
90	•	•	•	•
110	•	•	•	•

▲ minimum weldable thickness 3 mm

FEMALE SDR 7,4 - PN 25



DIMENSIONS							WEIGHTS
dn	G	de	L	h	Z	Ch	
25	¾"	39	33	20	75	34	210
32	1"	46	39	22	84	40	300
40	1" ¼	56	48	27	101	50	520
50	1" ½	68	54	27	108	55	685
63	2"	82	52	33	129	67	1030
75	2" ½	97	64	39	147	86	1725
90	3"	116	70	42	166	97	2405
110	4"	142	76	48	174	125	3725

Ch = tightening key size

WELDABILITY ON PIPE/FITTING PE 100				
dn	SDR 17	SDR 11	SDR 9	SDR 7,4
25		• ▲	•	•
32		•	•	•
40		•	•	•
50		•	•	•
63		•	•	•
75	•	•	•	•
90	•	•	•	•
110	•	•	•	•

▲ minimum weldable thickness 3 mm

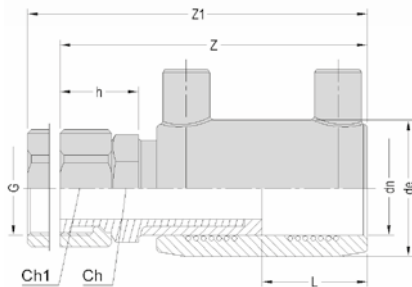
- Moulded in PE 100-RC
- During the screwing, lock the metallic hexagon to avoid any stress on the PE part
- Suitable for gas 🔥 and water 💧 pipelines
- Do not remove the insert

**COD. 21.70**

# ELECTROFUSION TRANSITION SOCKET WITH BRASS INSERT AND FREE NUT

SDR 7.4 - PN 25

38



DIMENSIONS									WEIGHTS	
dn	G	de	L	h	Z	Z1	Ch	Ch1		
20	1/2"	33	33	22	98	108	22	27	110	
25	3/4"	38	33	22	98	108	27	30	132	
32	1"	46	38	27	112	120	32	36	270	
40	1" 1/4	56	44	30	125	141	42	50	313	
50	1" 1/2	68	49	32	137	152	52	58	495	
63	2"	82	54	39	160	183	65	67	805	

Ch, Ch1 = tightening key size

WELDABILITY ON PIPE/FITTING PE 100			
dn	SDR 11	SDR 9	SDR 7,4
20	• ▲	• ▲	•
25	• ▲	•	•
32	•	•	•
40	•	•	•
50	•	•	•
63	•	•	•

▲ minimum weldable thickness 3 mm

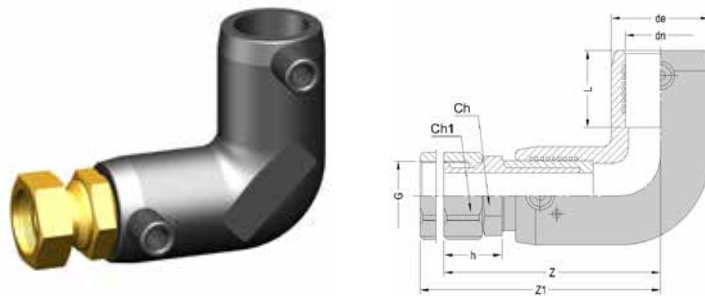
- Moulded in PE 100-RC
- During the screwing, lock the metallic hexagon to avoid any stress on the PE part
- Suitable for gas 🔥 and water 💧 pipelines
- Do not remove the insert

**COD. 21.71**

**ELECTROFUSION TRANSITION  
90° ELBOW**

WITH BRASS INSERT AND FREE NUT

SDR 7,4 - PN 25



DIMENSIONS										WEIGHTS		WELDABILITY ON PIPE/FITTING PE 100			
dn	G	de	L	h	Z	Z1	Ch	Ch1			dn	SDR 11	SDR 9	SDR 7,4	
25	¾"	38	33	22	84	94	27	30			25	● ▲	●	●	
32	1"	46	39	27	106	114	32	36			32	●	●	●	
40	1" ¼	56	48	30	114	130	42	50			40	●	●	●	
50	1" ½	68	54	32	126	141	52	58			50	●	●	●	
63	2"	83	52	39	153	176	65	67			63	●	●	●	

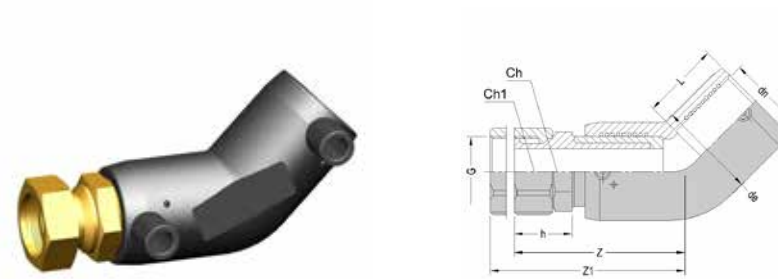
Ch, Ch1 = tightening key size ▲ minimum weldable thickness 3 mm

**COD. 21.72**

**ELECTROFUSION TRANSITION  
45° ELBOW**

WITH BRASS INSERT AND FREE NUT

SDR 7,4 - PN 25



DIMENSIONS										WEIGHTS		WELDABILITY ON PIPE/FITTING PE 100			
dn	G	de	L	h	Z	Z1	Ch	Ch1			dn	SDR 11	SDR 9	SDR 7,4	
32	1"	46	39	27	89	97	32	36			32	●	●	●	
40	1" ¼	56	48	30	104	120	42	50			40	●	●	●	
50	1" ½	68	54	32	112	127	52	58			50	●	●	●	
63	2"	82	52	39	135	158	65	67			63	●	●	●	

Ch, Ch1 = tightening key size

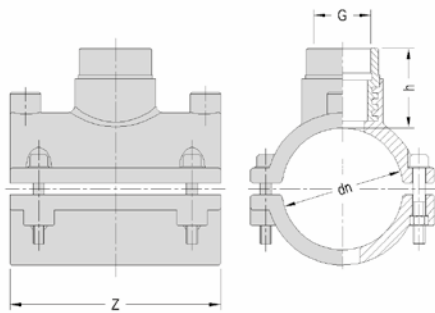
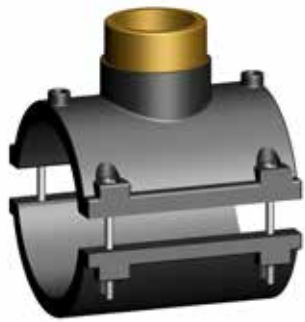
- Moulded in PE 100-RC
- During the screwing, lock the metallic hexagon to avoid any stress on the PE part
- Suitable for gas 🔥 and water 💧 pipelines
- Do not remove the insert

COD. 21.63

# ELECTROFUSION TRANSITION SPIGOT SADDLE WITH BRASS INSERT

SDR 11 - PN 16

FEMALE



DIMENSIONS				WEIGHTS
dn	G	h	Z	
110	1" ½	50	160	1300
110	2"	71	160	1555
125	1" ½	47	160	1415
125	2"	68	160	1680
140	1" ½	47	160	1565
140	2"	68	160	1850
160	1" ½	50	160	1750
160	2"	72	160	2020

WELDABILITY ON PIPE/FITTING PE 100			
dn	SDR 26	SDR 17	SDR 11
110x		•	•
125x		•	•
140x		•	•
160x	•	•	•

- weldable only with monovalent welding units Series Euro

- During the screwing, avoid any stress on the PE part
- Suitable for gas 🔥 and water 💧 pipelines

COD. 21.64

# ELECTROFUSION SPIGOT SADDLE FOR SHUT-OFF EQUIPMENT WITH BRASS INSERT

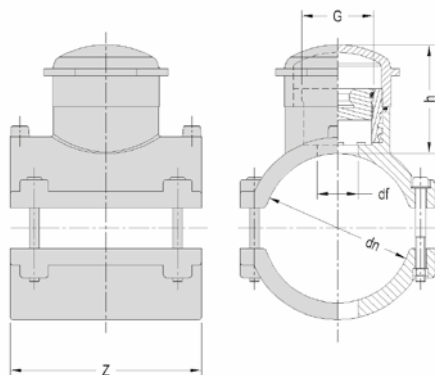
SDR 11 - PN 16



DIMENSIONS					WEIGHTS
dn	G	h	df	Z	
110	2"	90	54	160	2200
125	2"	91	54	160	2315
140	2"	92	54	160	2465
160	2"	93	54	160	2655

df = maximum thickness pipe boring

WELDABILITY ON PIPE/FITTING PE 100		
dn	SDR 17	SDR 11
110x	•	•
125x	•	•
140x	•	•
160x	•	•

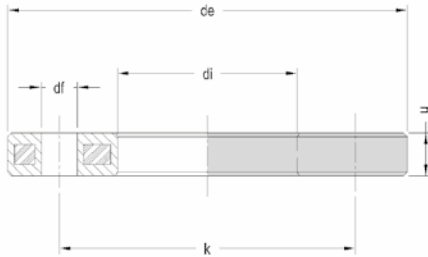


- Suitable for gas pipeline 🔥
- Brass closing cap with hexagonal seat 19 mm.
- Suitable for all normal commercial shut-off equipment
- PVC external cap with O-ring seal

COD. 20.49

## STEEL FLANGE COVERED PP

42



dn	DIMENSIONS						HOLES N.	WEIGHTS		
	D STEEL	de	k	h	di	df		PN	PN 10	PN 16
25	20	105	75	12	34	14	4	PN10/16	308	
32	25	115	85	16	42	14	4	PN10/16	470	
40	32	140	100	18	51	18	4	PN10/16	730	
50	40	150	110	18	62	18	4	PN10/16	820	
63	50	165	125	18	78	18	4	PN10/16	1090	
75	65	188	145	18	92	18	4	PN10/16	1380	
90	80	204	160	20	108	18	8	PN10/16	1310	
110	100	224	180	20	128	18	8	PN10/16	1370	
125	100	224	180	20	135	18	8	PN10/16	1370	
140	125	252	210	24	158	18	8	PN10/16	2060	
160	150	285	240	24	178	22	8	PN10/16	2840	
180	150	285	240	24	188	22	8	PN10/16	2800	
200	200	340	295	26	235	22	8	PN10	3470	
225	200	340	295	26	238	22	8	PN10	3520	
250	250	395	350	29	288	22	12	PN10	5100	
280	250	395	350	29	294	22	12	PN10	4170	
315	300	445	400	33	338	22	12	PN10	7360	
355	350	514	460	50	376	22	16	PN10	13700	
400	400	571	515	54	430	26	16	PN10	15900	
450	450/500	678	620	45	517	26	20	PN10	•	
500	500	688	620	45	533	26	20	PN10	•	
560	600	799	725	50	618	30	20	PN10	•	
630	600	799	725	50	645	30	20	PN10	•	
200	200	340	295	26	235	22	12	PN16		3350
225	200	340	295	26	238	22	12	PN16		3200
250	250	419	355	32	288	26	12	PN16		4780
280	250	419	355	32	294	26	12	PN16		4700
315	300	478	410	33	338	26	12	PN16		8150
355	350	532	470	50	376	26	16	PN16		17750
400	400	592	525	54	430	30	16	PN16		21850

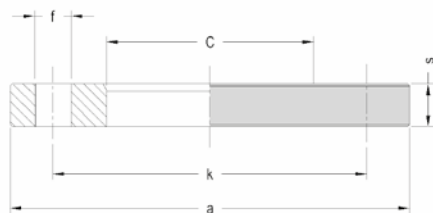
• on request

- Mounting dimensions in conformity with standard EN 1092-1 with internal diameter according to standard ISO 9624
- The pipeline diameter identifies the choice of the flange
- Flanges suitable both PN 10 and PN 16 up to diam 180 mm, for larger diameters they are different



COD. 20.40

## ALUMINIUM FLANGE

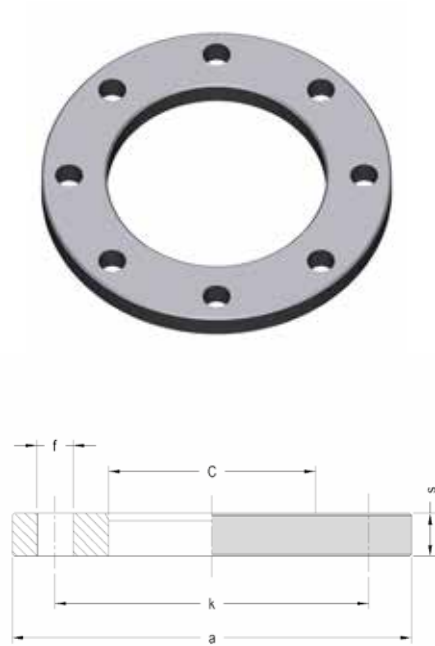


dn	DIMENSIONS						HOLES N.	WEIGHTS		
	D ALUMINIUM	C	s	a	k	f		PN	PN 10	PN 16
25	20	38	12	105	75	14	4	PN 10/16	250	
32	25	45	12	115	85	14	4	PN 10/16	250	
40	32	55	16	140	100	18	4	PN 10/16	500	
50	40	66	16	150	110	18	4	PN 10/16	550	
63	50	78	20	165	125	18	4	PN 10/16	690	
75	65	92	20	185	145	18	4	PN 10/16	880	
90	80	108	22	200	160	18	8	PN 10/16	980	
110	100	128	22	220	180	18	8	PN 10/16	1130	
125	100	135	22	220	180	18	8	PN 10/16	1030	
140	125	158	22	250	210	18	8	PN 10/16	1350	
160	150	178	24	285	240	22	8	PN 10/16	1820	
180	150	188	24	285	240	22	8	PN 10/16	1640	
200	200	235	26	340	295	22	8	PN10	2300	
225	200	238	26	340	295	22	8	PN10	2250	
250	250	288	28	395	350	22	12	PN10	3030	
280	250	294	28	395	350	22	12	PN10	2840	
315	300	338	28	445	400	22	12	PN10	3500	
200	200	235	26	340	295	22	12	PN16		2420
225	200	238	26	340	295	22	12	PN16		2310
250	250	288	28	405	355	25	12	PN16		3500
280	250	294	28	405	355	25	12	PN16		3420
315	300	338	32	460	410	25	12	PN16		5000

- Flange made in aluminium not painted
- Dimensions according to standard ISO 9624
- Flanges suitable both PN 10 and PN 16 up to diam 180 mm, for larger diameters they are different
- The pipeline diameter identifies the choice of the flange

# COD. 20.45 STEEL FLANGE

44



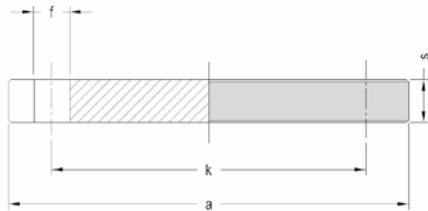
DIMENSIONS													WEIGHTS							
dn	D STEEL	C	s			a			k			f			HOLES N.			PN 10	PN 16	PN 25
			PN 10	PN 16	PN 25	PN 10	PN 16	PN 25	PN 10	PN 16	PN 25	PN 10	PN 16	PN 25	PN 10	PN 16	PN 25			
63	50	78			20			165			125			18			4			2340
75	65	92			22			185			145			18			8			3000
90	80	108			24			200			160			18			8			4000
110	100	128			26			235			190			22			8			5300
125	100	135			26			235			190			22			8			5300
140	125	158			28			270			220			26			8			7400
160	150	178			30			300			250			26			8			8900
180	150	188			30			300			250			26			8			10000
200	200	235	24	26	32	340	340	360	295	295	310	22	22	26	8	12	12	8410	8790	12000
225	200	238	24	26	32	340	340	360	295	295	310	22	22	26	8	12	12	8200	8570	12000
250	250	288	26	29	35	395	405	425	350	355	370	22	26	30	12	12	12	10840	13220	18000
280	250	294	26	29	35	395	405	425	350	355	370	22	26	30	12	12	12	10280	12590	•
315	300	338	26	32	38	445	460	485	400	410	430	22	26	30	12	12	16	12560	17810	•
355	350	376	30	35		505	520		460	470		22	26		16	16	16	12560	25430	
400	400	430	32	38		565	580		515	525		26	30		16	16	16	38000	44000	

• on request

- Steel flange not painted
- According to standard EN 1092-1 with internal diameter according to standard ISO 9624
- The pipeline diameter identifies the choice of the flange

COD. 20.46

## BLANK STEEL FLANGE



DIMENSIONS							WEIGHTS	
dn	D STEEL	s	a	k	f	HOLES N.	PN	
32	25	16	115	85	14	4	PN 10/16	1200
40	32	16	140	100	18	4	PN 10/16	1800
50	40	16	150	110	18	4	PN 10/16	2100
63	50	18	165	125	18	4	PN 10/16	2900
75	65	18	185	145	18	4	PN 10/16	3600
90	80	20	200	160	18	8	PN 10/16	4500
110/125	100	20	220	180	18	8	PN 10/16	5100
140	125	22	250	210	18	8	PN 10/16	6700
160/180	150	22	285	240	22	8	PN 10/16	8500
200/225	200	24	340	295	22	8	PN 10	13700
250/280	250	26	395	350	22	12	PN 10	20600
315	300	26	445	400	22	12	PN 10	30600



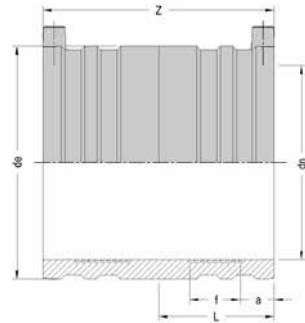
# ELECTROFUSION FITTINGS

SOCKET // 90° ELBOW // 45° ELBOW //  
90° TEE // 90° REDUCED TEE // CAP // REDUCER //  
SPIGOT SADDLE // TAPPING SADDLE //  
SPIGOT SADDLE BIG DIMENSION //  
TAPPING SADDLE WITH VALVE //

With reference to the Regulation N. 1907/2006 (CE) of the European Parliament and the Council of 18th December 2006 concerning the registration, the evaluation, the authorisation and the restriction of chemicals (REACH), with special reference to certain components made of brass integrated on electrofusion fittings and electrofusion transition fittings, visit the special "REACH Declaration" on the website [www.eurostandard.it](http://www.eurostandard.it) in the area Documents > Declarations

# COD. 21.00.10 ELECTROFUSION SOCKET

SDR 17 - PN 10



DIMENSIONS						WEIGHTS
dn	de	L	f	a	Z	
32	46	38	19	12	80	75
40	56	44	22	13	90	110
50	68	49	23	14	100	155
63	82	54	26	18	111	225
110	137	70	36	18	140	645
125	153	76	39	18	152	820
160	198	86	39	22	172	1520
180	223	100	41	25	200	2120
200	233	106	41	32	212	1880
225	262	114	41	34	227	2640
250	292	122	45	41	244	3600
280	341	133	42	44	265	7100
315	369	138	47	44	275	7000
355	412	156	44	47	312	9520
400	461	170	60	41	340	14150

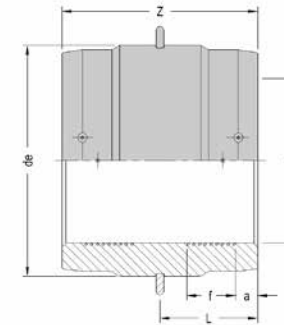
WELDABILITY ON PIPE/FITTING PE 100			
dn	SDR 33	SDR 26	SDR 17
32			●
40			●
50			●
63			●
110		●	●
125		●	●
160		●	●
180		●	●
200	●	●	●
225	●	●	●
250	●	●	●
280	●	●	●
315	●	●	●
355	●	●	●
400	●	●	●

- weldable only with:
  - universal ef units
  - monovalent ef unit Series Euro S1 plus
  - monovalent ef unit Series Euro S1 prior updating
- weldable only with monovalent welding units Series Euro

- \_ Moulded in PE 100-RC
- \_ Absolutely compulsory the use of aligning clamp for all diameters
- \_ Absolutely compulsory the pipes/fittings scraping

# COD. 21.00.10 ELECTROFUSION SOCKET

SDR 17 - PN 10



DIMENSIONS						WEIGHTS
dn	de	L	f	a	Z	
450	511	175	59	45	350	13540
500	569	179	76	47	359	16950
560	642	195	90	50	390	26000
630	716	213	99	53	425	31600

WELDABILITY ON PIPE/FITTING PE 100			
dn	SDR 33	SDR 26	SDR 17
450	●	●	●
500	●	●	●
560	●	●	●
630	●	●	●

supplied with pre-pulled belts (no need of regulation) to avoid any expansion

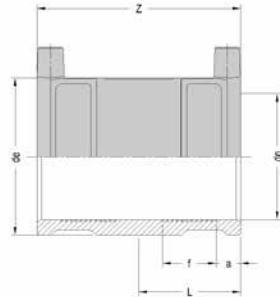
- weldable only with universal ef units

- \_ Moulded in PE 100-RC
- \_ EF socket d. 500 - 560 - 630 mm: two separate fusion zones and electrically independent
- \_ Absolutely compulsory the use of aligning clamp for all diameters
- \_ Absolutely compulsory the pipes/fittings scraping

COD. 21.00.16

## ELECTROFUSION SOCKET

SDR 11 - PN 16



DIMENSIONS						WEIGHTS
dn	de	L	f	a	Z	
20	33	33	15	13	70	45
25	38	33	15	12	70	55
32	46	38	19	12	80	75
40	56	44	22	13	90	110
50	68	49	23	14	100	155
63	82	54	26	18	111	225
75	93	60	32	18	121	225
90	113	65	31	20	131	420
110	137	70	32	22	140	645
125	152	76	38	18	152	820
140	170	80	49	17	161	1060
160	198	86	45	22	172	1520
180	223	100	51	25	200	2120
200	245	105	43	32	210	2900
225	277	112	48	36	225	3980
250	305	122	53	33	244	5430
280	341	133	55	38	265	7100
315	391	138	51	47	277	10620
355	430	156	60	45	312	11750
400	492	172	53	64	344	20056

dn	WELDABILITY ON PIPE/FITTING PE 100		
	SDR 26	SDR 17	SDR 11
20			● ▲
25			● ▲
32		● ▲	●
40		● ▲	●
50		●	●
63		●	●
75		●	●
90	●	●	●
110	●	●	●
125	●	●	●
140	●	●	●
160	●	●	●
180	●	●	●
200	●	●	●
225	●	●	●
250	●	●	●
280	●	●	●
315	●	●	●
355	●	●	●
400	●	●	●

- weldable only with:
  - universal ef units
  - monovalent ef unit Series Euro S1 plus
  - monovalent ef unit Series Euro S1 prior updating
- weldable only with monovalent welding units Series Euro
- ▲ minimum weldable thickness 3 mm

\_ Moulded in PE 100-RC

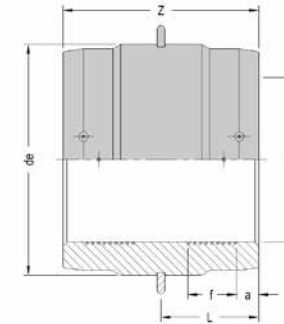
\_ Absolutely compulsory the use of aligning clamp for all diameters

\_ Absolutely compulsory the pipes/fittings scraping

COD. 21.00.16

## ELECTROFUSION SOCKET

SDR 11 - PN 16



DIMENSIONS						WEIGHTS
dn	de	L	f	a	Z	
450	549	175	59	46	350	20300
500	602	179	76	47	359	25200
560	672	193	90	50	385	33000
630	762	210	99	50	420	46850

supplied with pre-pulled belts  
(no need of regulation)  
to avoid any expansion

dn	WELDABILITY ON PIPE/FITTING PE 100		
	SDR 26	SDR 17	SDR 11
450	●	●	●
500	●	●	●
560	●	●	●
630	●	●	●

- weldable only with universal ef units

\_ Moulded in PE 100-RC

\_ EF socket d. 500 - 560 - 630 mm: two separate fusion zones and electrically independent

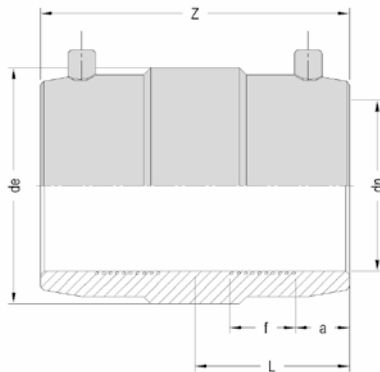
\_ Absolutely compulsory the use of aligning clamp for all diameters

\_ Absolutely compulsory the pipes/fittings scraping

COD. 21.00.25

## ELECTROFUSION SOCKET

SDR 7,4 - PN 25



50

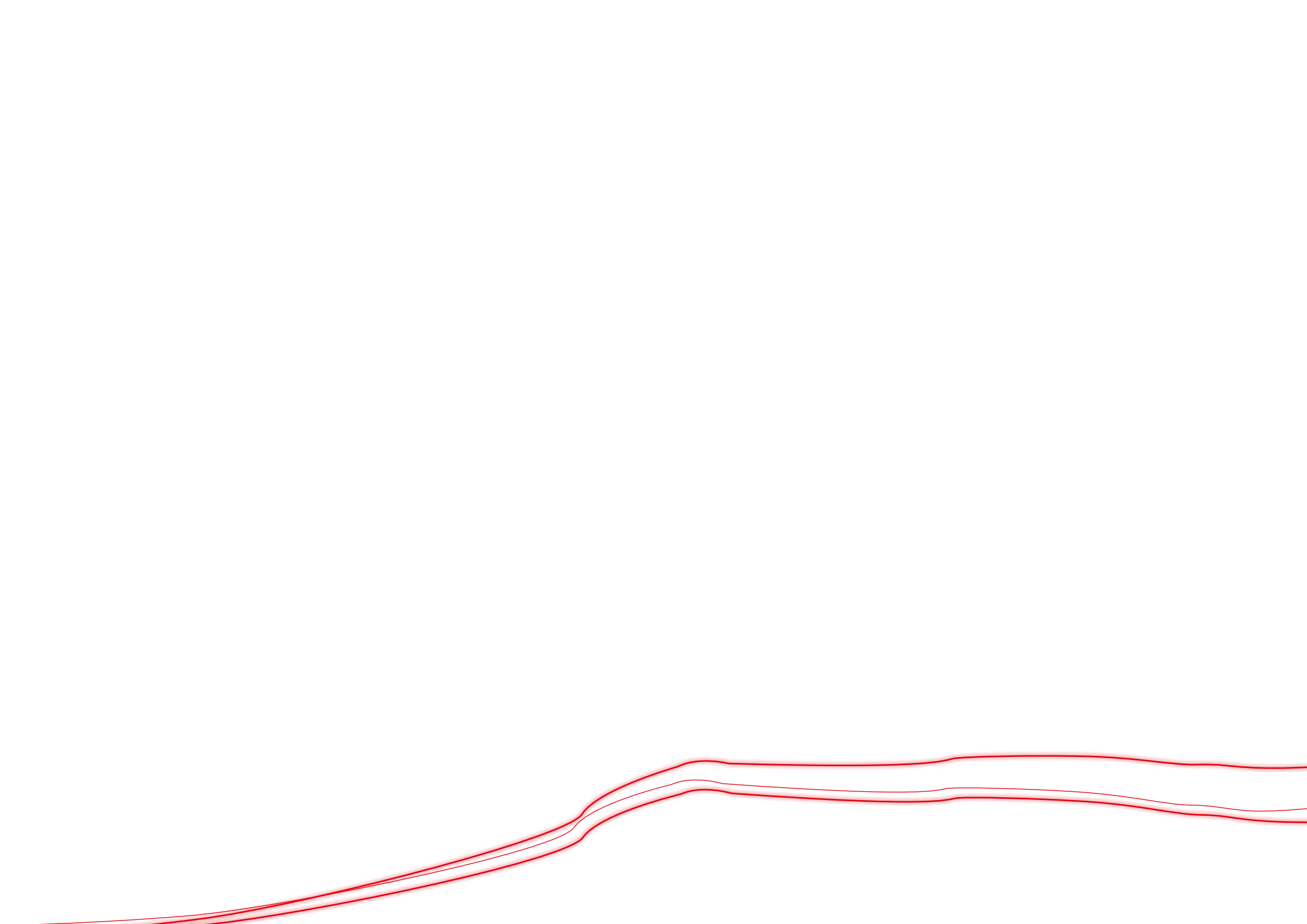
DIMENSIONS						WEIGHTS
dn	de	L	f	a	Z	
20	33	33	15	13	70	45
25	38	33	15	12	70	55
32	46	38	19	12	80	75
40	56	44	22	13	90	110
50	68	49	23	14	100	155
63	82	54	26	18	111	225
75	99	60	36	14	120	330
90	116	65	37	14	130	490
110	145	70	36	18	140	800
125	163	76	39	18	151	1060
140	183	81	48	18	161	1440
160	207	86	53	20	172	1855
180	240	96	51	27	193	3000
200	265	101	50	31	203	4100
225	301	111	60	29	223	5850
250	332	122	54	38	243	6550
315	416	142	64	43	283	12400

WELDABILITY ON PIPE/FITTING PE 100					
dn	SDR 26	SDR 17	SDR 11	SDR 9	SDR 7,4
20			● ▲	● ▲	●
25			● ▲	●	●
32		● ▲	●	●	●
40		● ▲	●	●	●
50		●	●	●	●
63		●	●	●	●
75		●	●	●	●
90	●	●	●	●	●
110	●	●	●	●	●
125	●	●	●	●	●
140	●	●	●	●	●
160	●	●	●	●	●
180	●	●	●	●	●
200	●	●	●	●	●
225	●	●	●	●	●
250	●	●	●	●	●
315	●	●	●	●	●

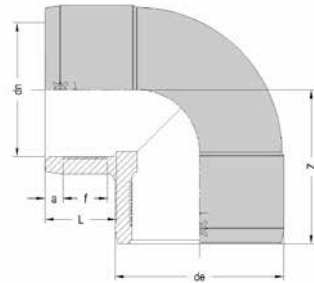
- weldable only with monovalent welding units Serie Euro
- ▲ minimum weldable thickness 3 mm

- \_ Moulded in PE 100-RC
- \_ Absolutely compulsory the use of aligning clamp for all diameters
- \_ Absolutely compulsory the pipes/fittings scraping





**COD. 21.11.16**  
**ELECTROFUSION 90° ELBOW**  
 SDR 11 - PN 16

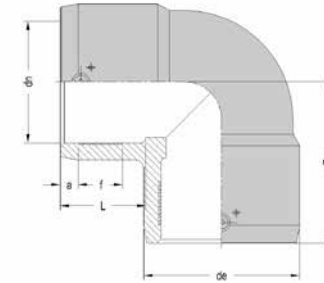


DIMENSIONS						WEIGHTS
dn	de	L	f	a	Z	
20	34	33	15	10	55	75
25	38	33	15	9	57	80
32	46	39	18	10	75	130
40	56	48	25	11	80	190
50	68	54	27	12	89	300
63	83	52	27	13	104	450
75	97	64	29	18	116	665
90	113	70	37	18	130	855
110	136	76	39	20	146	1325
125	162	79	42	19	152	2130
140	174	85	38	20	166	2700
160	206	89	45	20	180	4050
180	226	116	50	23	215	4800
200	251	118	55	23	229	6450
225	281	120	45	36	251	9330
250	310	127	53	33	272	11600
315	397	145	54	47	321	23000

dn	WELDABILITY ON PIPE/FITTING PE 100	
	SDR 17	SDR 11
20		● ▲
25		● ▲
32	● ▲	●
40	● ▲	●
50	●	●
63	●	●
75	●	●
90	●	●
110	●	●
125	●	●
140	●	●
160	●	●
180	●	●
200	●	●
225	●	●
250	●	●
315	●	●

- weldable only with monovalent welding units Serie Euro
- weldable only with universal ef units
- ▲ minimum weldable thickness 3 mm

**COD. 21.11.25**  
**ELECTROFUSION 90° ELBOW**  
 SDR 7,4 - PN 25



DIMENSIONS						WEIGHTS
dn	de	L	f	a	Z	
20	34	33	15	10	55	75
25	38	33	15	9	57	80
32	46	39	18	10	75	130
40	56	48	25	11	80	190
50	68	54	27	12	89	300
63	83	52	27	13	104	450
75	97	64	29	18	116	665
90	116	70	37	18	130	1040
110	142	76	39	20	146	1615
125	162	79	42	19	152	2130
160	206	89	45	20	180	4050

dn	WELDABILITY ON PIPE/FITTING PE 100			
	SDR 17	SDR 11	SDR 9	SDR 7,4
20		● ▲	● ▲	●
25		● ▲	●	●
32	● ▲	●	●	●
40	● ▲	●	●	●
50	●	●	●	●
63	●	●	●	●
75	●	●	●	●
90	●	●	●	●
110	●	●	●	●
125	●	●	●	●
160	●	●	●	●

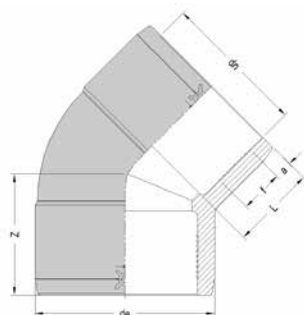
- weldable only with monovalent welding units Serie Euro
- weldable only with universal ef units
- ▲ minimum weldable thickness 3 mm

- \_ Moulded in PE 100-RC
- \_ Absolutely compulsory the use of aligning clamp for all diameters
- \_ Absolutely compulsory the pipes/fittings scraping

COD. 21.16.16

## ELECTROFUSION 45° ELBOW

SDR 11 - PN 16



DIMENSIONS						WEIGHTS
dn	de	L	f	a	Z	
25	39	33	15	10	55	80
32	46	39	18	10	57	110
40	56	48	25	11	70	175
50	68	54	27	12	75	260
63	82	52	27	13	86	390
75	97	64	29	18	98	610
90	116	70	37	18	110	905
110	142	76	39	20	114	1415
125	162	79	42	19	119	1830
140	177	86	39	20	134	2200
160	206	89	45	20	134	3400
180	223	105	50	28	165	4300
200	250	112	55	29	171	5300
225	277	120	45	36	184	7400
250	308	127	53	33	198	9320
315	387	145	54	48	227	16970

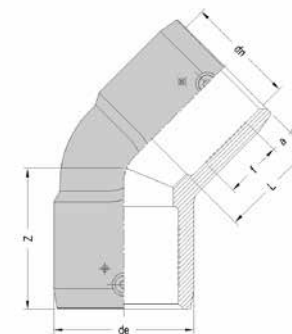
dn	WELDABILITY ON PIPE/FITTING PE 100	
	SDR 17	SDR 11
25		● ▲
32	● ▲	●
40	● ▲	●
50	●	●
63	●	●
75	●	●
90	●	●
110	●	●
125	●	●
140	●	●
160	●	●
180	●	●
200	●	●
225	●	●
250	●	●
315	●	●

- weldable only with universal ef units
- weldable only with monovalent welding units Serie Euro
- ▲ minimum weldable thickness 3 mm

COD. 21.16.25

## ELECTROFUSION 45° ELBOW

SDR 7,4 - PN 25



DIMENSIONS						WEIGHTS
dn	de	L	f	a	Z	
25	39	33	15	10	55	80
32	46	39	18	10	57	110
40	56	48	25	11	70	175
50	68	54	27	12	75	260
63	82	52	27	13	86	390
75	97	64	29	18	98	610
90	116	70	37	18	110	905
110	142	76	39	20	114	1415
125	162	79	42	19	119	1830
160	206	89	45	20	134	3400

dn	WELDABILITY ON PIPE/FITTING PE 100			
	SDR 17	SDR 11	SDR 9	SDR 7,4
25		● ▲	●	●
32	● ▲	●	●	●
40	● ▲	●	●	●
50	●	●	●	●
63	●	●	●	●
75	●	●	●	●
90	●	●	●	●
110	●	●	●	●
125	●	●	●	●
160	●	●	●	●

- weldable only with monovalent welding units Serie Euro
- weldable only with universal ef units
- ▲ minimum weldable thickness 3 mm

\_ Moulded in PE 100-RC

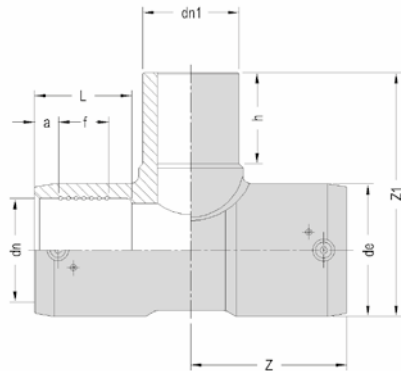
\_ Absolutely compulsory the use of aligning clamp for all diameters

\_ Absolutely compulsory the pipes/fittings scraping

# COD. 21.21.16

## ELECTROFUSION 90° TEE

### SDR 11 - PN 16



54

DIMENSIONS									WEIGHTS
dn	dn1	de	L	f	a	h	Z	Z1	
25	25	39	33	15	11	60	53	111	95
32	32	44	44	28	10	48	64	94	105
40	40	54	49	37	11	57	73	112	175
50	50	66	55	36	12	62	81	128	300
63	63	81	61	32	13	72	94	153	420
75	75	96	64	29	18	75	113	176	700
90	90	116	70	37	18	85	125	202	1170
110	110	141	76	39	20	84	141	233	1840
125	125	161	79	42	19	100	156	269	2800
140	140	174	85	38	20	121	150	308	3200
160	160	206	89	51	20	127	184	350	5570
180	180	227	105	48	23	130	188	368	5810
200	200	252	112	55	23	135	205	400	7590
225	225	278	120	50	37	144	227	442	9950
250	250	307	127	63	34	155	250	491	13460
315	315	387	145	54	46	180	292	410	24700

dn	WELDABILITY ON PIPE/FITTING PE 100	
	SDR 17	SDR 11
25		● ▲
32	● ▲	●
40	● ▲	●
50	●	●
63	●	●
75	●	●
90	●	●
110	●	●
125	●	●
140	●	●
160	●	●
180	●	●
200	●	●
225	●	●
250	●	●
315	●	●

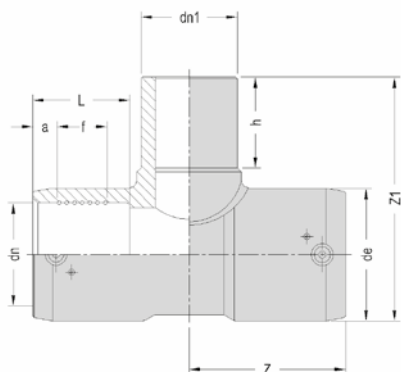
- weldable only with monovalent welding units Serie Euro
- weldable only with universal ef units
- ▲ minimum weldable thickness 3 mm

- \_ Moulded in PE 100-RC
- \_ Absolutely compulsory the use of aligning clamp for all diameters
- \_ Absolutely compulsory the pipes/fittings scraping

COD. 21.22.16

## ELECTROFUSION REDUCED 90° TEE

SDR 11 - PN 16



DIMENSIONS									WEIGHTS
dn	dn1	de	L	f	a	h	Z	Z1	
90	63	116	70	37	18	75	125	197	1060
110	63	141	76	39	20	75	141	221	1670
110	90	141	76	39	20	84	141	231	1750
160	63	206	89	51	20	75	184	294	4630
160	90	206	89	51	20	84	184	304	4700
160	110	206	89	51	20	85	184	305	4780

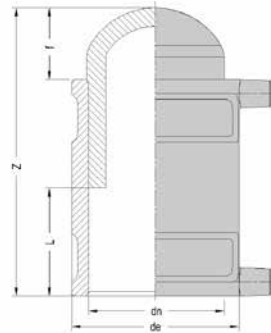
WELDABILITY ON PIPE/FITTING PE 100			
dn	dn1	SDR 17	SDR 11
90	63	•	•
110	63	•	•
110	90	•	•
160	63	•	•
160	90	•	•
160	110	•	•

- \_ Moulded in PE 100-RC
- \_ Absolutely compulsory the use of aligning clamp for all diameters
- \_ Absolutely compulsory the pipes/fittings scraping

COD. 21.36.16

## ELECTROFUSION CAP

SDR 11 - PN 16



DIMENSIONS					WEIGHTS
dn	de	f	L	Z	
32	46	21	38	99	97
40	56	24	44	113	145
50	68	25	49	124	205
63	82	25	55	136	310
75	93	28	61	149	420
90	113	34	66	165	655
110	137	48	70	188	1050
125	152	46	76	198	1440
140	170	43	82	206	1900
160	198	48	86	220	2460
180	223	50	100	250	3635

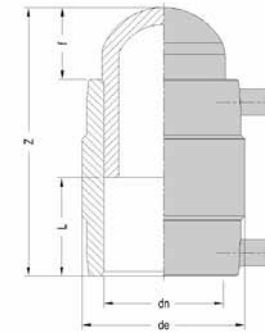
WELDABILITY ON PIPE/FITTING PE 100				
dn	SDR 26	SDR 17	SDR 11	
32		• ▲	•	
40		• ▲	•	
50		•	•	
63		•	•	
75		•	•	
90	•	•	•	
110	•	•	•	
125	•	•	•	
140	•	•	•	
160	•	•	•	
180	•	•	•	

- weldable only with monovalent welding units Series Euro
- ▲ minimum weldable thickness 3 mm

COD. 21.36.25

## ELECTROFUSION CAP

SDR 7,4 - PN 25



DIMENSIONS					WEIGHTS
dn	de	f	L	Z	
20	33	26	33	94	60
25	38	35	33	105	75
32	46	19	38	99	104
40	56	24	44	114	155
50	68	25	49	125	250
63	82	26	55	137	360
75	99	29	60	149	550
90	116	35	65	165	850
110	145	48	70	188	1400
125	163	46	76	197	1800
140	183	44	81	205	2400
160	207	48	86	220	3355

WELDABILITY ON PIPE/FITTING PE 100					
dn	SDR 26	SDR 17	SDR 11	SDR 9	SDR 7,4
20			• ▲	• ▲	•
25			• ▲	•	•
32		• ▲	•	•	•
40		• ▲	•	•	•
50		•	•	•	•
63		•	•	•	•
75		•	•	•	•
90	•	•	•	•	•
110	•	•	•	•	•
125	•	•	•	•	•
140	•	•	•	•	•
160	•	•	•	•	•

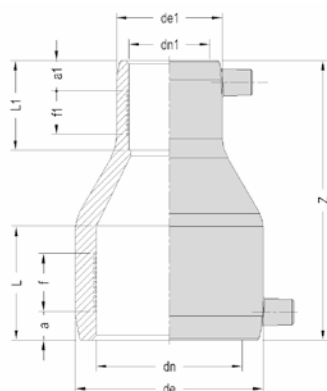
- weldable only with monovalent welding units Series Euro
- ▲ minimum weldable thickness 3 mm

- \_ Moulded in PE 100-RC
- \_ Absolutely compulsory the pipe scraping

COD. 21.51.16

## ELECTROFUSION REDUCER

SDR 11 - PN 16



DIMENSIONS											WEIGHTS
dn	dn1	de	de1	L	L1	f	f1	a	a1	Z	
25	20	37	32	41	41	21	21	11	11	86	45
32	20	44	32	44	41	24	21	11	11	98	58
32	25	45	37	44	40	24	21	11	11	91	66
40	20	53	33	48	40	24	20	12	12	109	90
40	25	53	37	49	40	22	19	12	12	105	92
40	32	53	45	49	43	24	24	12	12	100	87
50	25	65	37	54	40	29	19	13	13	120	125
50	32	65	44	54	43	26	19	13	13	117	119
50	40	65	54	54	48	29	24	15	13	113	131
63	32	80	45	63	44	25	19	15	15	140	196
63	40	80	54	61	48	30	23	16	15	140	207
63	50	80	65	61	54	27	27	16	15	141	233
75	50	97	68	70	55	34	29	18	18	154	365
75	63	97	81	75	62	34	33	13	13	160	405
90	50	117	66	79	55	45	25	18	16	185	555
90	63	115	81	77	62	45	33	15	13	160	515
90	75	115	97	81	60	39	30	18	18	159	550
110	63	144	83	79	63	40	33	20	15	201	905
110	90	141	115	87	77	41	39	19	18	181	860
125	90	162	118	78	68	42	34	22	17	177	1100
125	110	162	144	79	73	33	36	22	20	164	1225
160	90	209	119	90	79	50	50	23	17	233	2340
160	110	208	144	95	82	48	37	25	20	218	2400
160	125	208	162	98	87	47	30	26	21	208	2505
180	125	229	165	103	79	46	39	29	15	254	3140
200	160	254	228	110	96	45	38	35	29	265	4000
225	160	277	198	120	96	45	38	35	29	300	4600
225	200	277	249	120	112	45	45	37	32	280	4800
250	225	307	277	127	120	53	45	37	35	275	6000
315	250	387	308	145	127	54	53	49	37	370	12100

WELDABILITY ON PIPE/FITTING PE 100			
dn	dn1	SDR 17	SDR 11
25	20		● ▲
32	20		● ▲
32	25		● ▲
40	20		● ▲
40	25		● ▲
40	32	● ▲	●
50	25		● ▲
50	32	● ▲	●
50	40	● ▲	●
63	32	● ▲	●
63	40	● ▲	●
63	50	●	●
75	50		●
75	63		●
90	50	●	●
90	63	●	●
90	75	●	●
110	63		●
110	90	●	●
125	90	●	●
125	110	●	●
160	90	●	●
160	110	●	●
160	125	●	●
180	125	●	●
200	160	●	●
225	160	●	●
225	200	●	●
250	225	●	●
315	250	●	●

- weldable only with monovalent welding units Serie Euro
- weldable only with universal ef units
- ▲ minimum weldable thickness 3 mm

\_ Moulded in PE 100-RC

\_ Absolutely compulsory the use of aligning clamp for all diameters

\_ Absolutely compulsory the pipes/fittings scraping

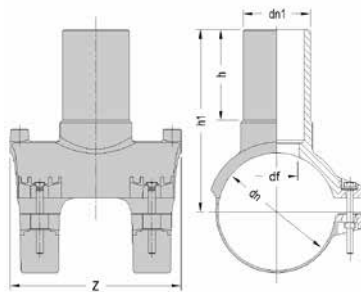
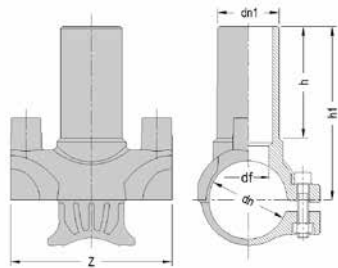
COD. 21.20.16 A

## ELECTROFUSION SPIGOT SADDLE MONOBLOC

SDR 11 - PN 16



diam. 40x



DIMENSIONS						WEIGHTS	
dn	dn1	h	h1	Z	df		
40	20	65	99	84	13	100	
40	25	65	100	84	17	100	
40	32	65	101	84	25	100	
63	20	60	110	110	13	130	
63	25	60	110	110	17	140	
63	32	65	112	110	25	150	
63	40	65	115	110	32	170	
63	50	80	135	110	38	180	
90	20	60	122	125	13	230	
90	25	60	127	125	17	235	
90	32	65	131	125	25	240	
90	40	65	131	125	32	245	
90	50	80	151	125	38	270	
90	63	85	160	125	48	320	
110	25	60	137	162	17	338	
110	32	65	141	162	25	350	
110	40	65	141	162	32	350	
110	50	80	161	162	38	385	
110	63	85	170	162	48	435	
125	25	60	147	162	17	■	
125	32	65	150	162	25	■	
125	40	65	150	162	32	■	
125	50	80	171	162	38	■	
125	63	85	183	162	48	■	
160	25	60	169	162	17	■	
160	32	65	169	162	25	■	
160	40	65	173	162	32	■	
160	50	80	189	162	38	■	
160	63	85	204	162	48	■	

df = cutter diameter

WELDABILITY ON PIPE/FITTING PE 100		
dn	SDR 17	SDR 11
40x		●
63x	●	●
90x	●	●
110x	●	●
125x	●	●
160x	●	●

- weldable only with:
  - universal ef units
  - monovalent ef unit Series Euro S1 plus
  - monovalent ef unit Series Euro S1 prior updating
- weldable only with monovalent welding units Series Euro

■ in preparation

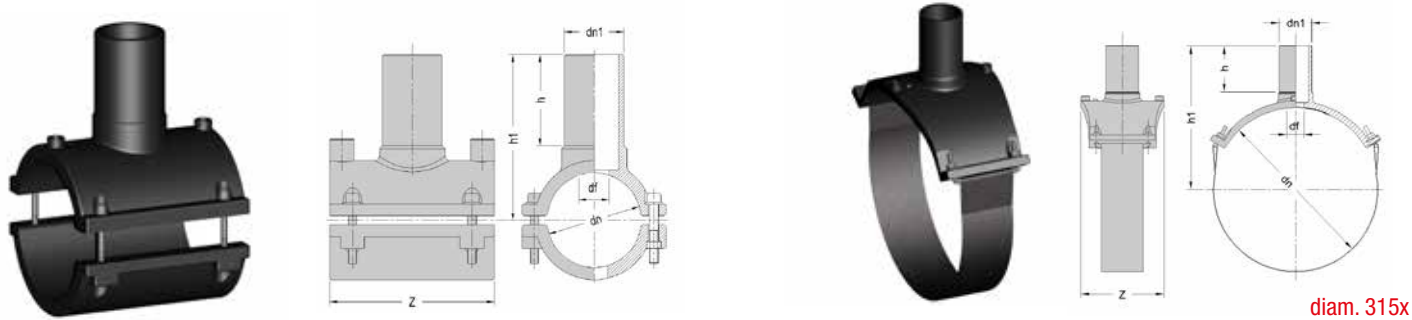
- Boring after cooling is completed
- Absolutely compulsory the pipe scraping in the welding area
- Use steel cutter suitable for the largest inside branch diameter (see df in table)



COD. 21.20.16

## ELECTROFUSION SPIGOT SADDLE

SDR 11 - PN 16



DIMENSIONS						WEIGHTS
dn	dn1	h	h1	Z	df	
50	25	50	91	101	17	172
50	32	55	95	101	25	180
63	63	88	153	125	48	380
75	25	65	123	125	17	400
75	32	65	123	125	25	400
75	40	70	128	125	32	450
75	50	80	144	125	38	450
75	63	90	159	125	48	500
110	90	90	176	160	72	■
125	25	56	143	160	17	900
125	32	57	143	160	25	900
125	40	62	147	160	32	950
125	50	67	158	160	38	950
125	63	75	173	160	48	1000
125	90	93	191	190	72	1200
140	25	65	159	160	17	1050
140	32	65	159	160	25	1050
140	40	70	163	160	32	1050
140	50	80	179	160	38	1100
140	63	90	194	160	48	1150

■ in preparation

DIMENSIONS						WEIGHTS
dn	dn1	h	h1	Z	df	
160	25	65	169	160	17	700
160	32	65	169	160	25	700
160	40	73	173	160	32	700
160	50	80	189	160	38	750
160	63	90	204	160	48	800
160	90	90	206	190	72	1570
160	110	96	218	190	88	1950
180	32	65	179	160	25	1550
180	40	70	183	160	32	1600
180	50	80	199	160	38	1650
180	63	90	214	160	48	1650
180	90	93	218	190	72	2050
180	110	94	226	190	88	2350
200	32	65	189	160	25	1800
200	40	70	193	160	32	1800
200	50	80	210	160	38	1850
200	63	90	225	160	48	1850
200	90	93	229	190	72	2350
200	110	93	237	190	88	1930

DIMENSIONS						WEIGHTS
dn	dn1	h	h1	Z	df	
225	32	65	201	160	25	2000
225	40	70	206	160	32	2000
225	50	80	222	160	38	2050
225	63	90	237	160	48	2100
225	90	93	241	190	72	2500
225	110	98	249	190	88	2700
250	32	58	205	190	25	2550
250	40	63	210	190	32	2550
250	50	68	221	190	38	2600
250	63	77	234	190	48	2650
250	90	93	254	190	72	3100
250	110	98	262	190	88	3300
315	32	62	246	160	48	895
315	63	88	277	160	72	1055
315	110	95	288	190	88	1150

df = cutter diameter  
with reinforce steel clip

WELDABILITY ON PIPE/FITTING PE 100			
dn	SDR 26	SDR 17	SDR 11
50x			●
63x			●
75x		●	●
125x		●	●
140x		●	●
160x	●	●	●
180x	●	●	●
200x	●	●	●
225x	●	●	●
250x	●	●	●
315x	●	●	●

- weldable only with monovalent welding units Serie Euro
- weldable only with universal ef units

- Boring after cooling is completed
- Absolutely compulsory the pipe scraping in the welding area

- Use steel cutter suitable for the largest inside branch diameter (see df in table)
- Diameters 50x20 - 180x25 - 200x25 - 225x25 - kit saddle with electrofusion reducer

COD. 21.30.16 A

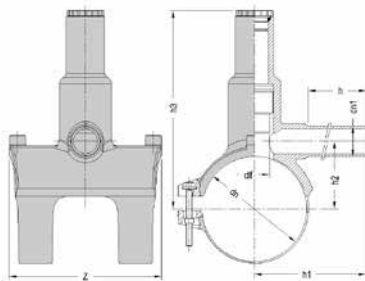
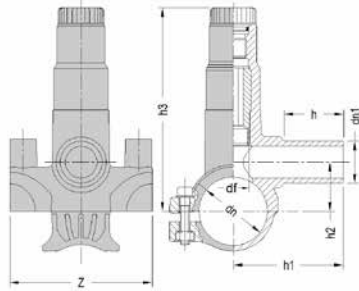
## ELECTROFUSION TAPPING SADDLE MONOBLOC

SDR 11 - PN 16

60



diam. 40x



DIMENSIONS								WEIGHTS
dn	dn1	h	h1	h2	h3	Z	df	
40	20	66	96	29	110	84	18	200
40	25	66	96	29	110	84	18	200
40	32	66	96	29	110	84	18	200
63	20	77	114	43	157	110	25	315
63	25	77	114	43	157	110	25	330
63	32	77	114	43	157	110	25	335
63	40	77	118	48	157	110	30	370
63	50	81	122	48	157	110	30	390
63	63	95	124	48	157	110	30	430
90	20	77	130	60	195	126	32	415
90	25	77	130	60	195	126	32	435
90	32	77	135	60	195	126	32	445
90	40	77	138	60	195	126	32	470
90	50	81	143	60	195	126	32	490
90	63	113	145	60	195	126	32	530
110	20	77	130	71	208	162	32	583
110	25	77	130	71	208	162	32	587
110	32	77	135	71	208	162	32	593
110	40	77	139	71	208	162	32	619
110	50	81	144	71	208	162	32	647
110	63	113	148	71	208	162	32	675
125	25	77	130	87	213	162	32	■
125	32	77	130	87	213	162	32	■
125	40	77	139	87	213	162	32	■
125	50	81	144	87	213	162	32	■
125	63	113	148	87	213	162	32	■
160	25	77	130	98	233	162	32	■
160	32	77	130	98	233	162	32	■
160	40	77	139	98	233	162	32	■
160	50	81	144	98	233	162	32	■
160	63	113	148	98	233	162	32	■

df = cutter diameter

WELDABILITY ON  
PIPE/FITTING PE 100

dn	SDR 17	SDR 11
40x		●
63x	●	●
90x	●	●
110x	●	●
125x	●	●
160x	●	●

- weldable only with:
  - universal ef units
  - monovalent ef unit Series Euro S1 plus
  - monovalent ef unit Series Euro S1 prior updating
- weldable only with monovalent welding units Series Euro

■ in preparation

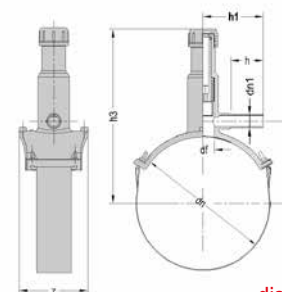
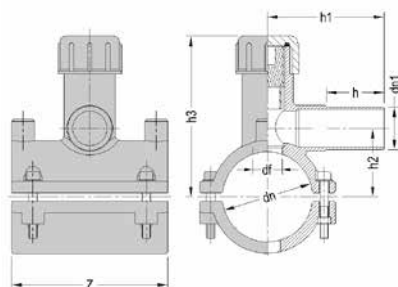
- Boring after cooling is completed
- Suitable for application on pipelines under pressure gas 🔥 and water 💧
- Absolutely compulsory the pipe scraping in the welding area

- No leakage from the cutter during the boring phase (except dia. 40x)
- Cutter supplied with upper stroke end
- Seal closing possible with electrofusion cap (except dia. 40x)

COD. 21.30.16

## ELECTROFUSION TAPPING SADDLE

SDR 11 - PN 16



diam. 315x

DIMENSIONS							WEIGHTS	
dn	dn1	h	h1	h2	h3	Z	df	
50	20	62	99	37	102	102	18	258
50	25	62	99	37	102	102	18	265
50	32	78	99	37	102	102	18	269
75	20	70	114	63	133	125	25	600
75	25	70	114	63	133	125	25	600
75	32	70	130	74	133	125	25	600
75	40	72	144	63	133	125	25	650
75	50	72	148	63	160	125	30	750
75	63	93	148	63	160	125	30	850
125	20	70	114	87	165	160	25	1100
125	25	70	114	87	165	160	25	1100
125	32	70	130	84	165	160	25	1100
125	40	72	144	87	165	160	25	1200
125	50	72	148	87	187	160	30	1300
125	63	83	148	87	187	160	30	1350
140	20	70	114	96	165	160	25	1200
140	25	70	114	96	165	160	25	1250
140	32	70	130	96	165	160	25	1250
140	40	72	144	96	165	160	25	1250
140	50	72	148	96	167	160	30	1400
140	63	73	148	96	167	160	30	1450

DIMENSIONS							WEIGHTS	
dn	dn1	h	h1	h2	h3	Z	df	
160	20	70	114	108	184	160	25	850
160	25	70	114	104	184	160	25	850
160	32	70	130	105	185	160	25	900
160	40	72	144	104	185	160	25	950
160	50	72	148	104	208	160	30	1050
160	63	72	148	104	208	160	30	1100
180	20	70	114	110	192	160	25	1750
180	25	70	114	110	192	160	25	1750
180	32	70	130	110	192	160	25	1750
180	40	72	144	110	192	160	25	1800
180	50	72	148	110	194	160	30	1900
180	63	72	148	110	194	160	30	1950
200	20	70	114	126	204	160	25	1850
200	25	70	114	126	204	160	25	1850
200	32	70	130	126	204	160	25	1850
200	40	72	144	126	204	160	25	1900
200	50	72	148	126	194	160	30	2000
200	63	64	148	126	194	160	30	2100

DIMENSIONS							WEIGHTS	
dn	dn1	h	h1	h2	h3	Z	df	
225	20	70	114	140	216	160	25	2000
225	25	70	114	140	216	160	25	2050
225	32	70	130	140	216	160	25	2050
225	40	72	144	140	216	160	25	2100
225	50	72	148	140	218	160	30	2250
225	63	64	148	140	218	160	30	2300
250	20	70	114	151	264	160	25	2450
250	25	70	114	151	264	160	25	2450
250	32	70	130	151	266	160	30	2600
250	40	72	144	151	266	160	30	2650
250	50	72	148	151	266	160	30	2650
250	63	64	148	151	266	160	30	2700
315	32	77	142	194	411	160	44	1250
315	63	120	166	194	411	160	44	1300

df = cutter diameter

WELDABILITY ON PIPE/FITTING PE 100			
dn	SDR 26	SDR 17	SDR 11
50x			●
75x		●	●
125x		●	●
140x		●	●
160x	●	●	●
180x	●	●	●
200x	●	●	●
225x	●	●	●
250x	●	●	●
315x	●	●	●

- weldable only with monovalent welding units Serie Euro
- weldable only with universal of units

- Boring after cooling is completed
- Suitable for application on pipelines under pressure gas and water

- Absolutely compulsory the pipe scraping in the welding area
- Do not remove the cutter after boring

COD. 21.25.16

## ELECTROFUSION SPIGOT SADDLE BIG DIMENSION

SDR 11 - PN 16

62

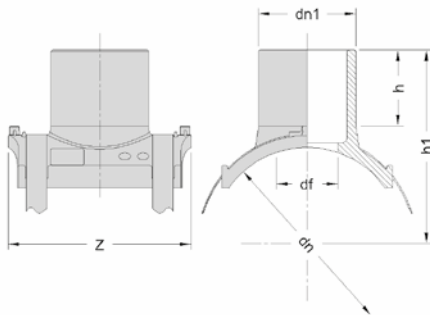


DIMENSIONS						WEIGHTS
dn	dn1	h	h1	Z	df	
315	160	125	318	300	101	■
315	225	150	348	360	157	■
400	160	125	365	300	101	■
400	225	150	395	410	157	■

df = cutter diameter

WELDABILITY ON PIPE/FITTING PE 100			
dn	SDR 26	SDR 17	SDR 11
315x	●	●	●
400x	●	●	●

● weldable only with universal ef units



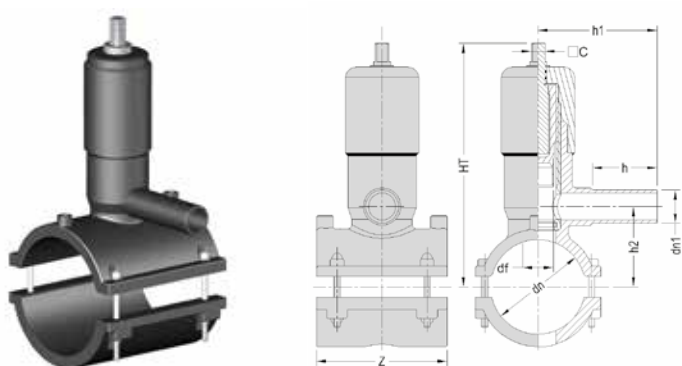
■ in preparation

- Boring after cooling is completed
- Absolutely compulsory the pipe scraping in the welding area
- Use steel cutter suitable for the largest inside branch diameter (see df in table)

COD. 21.73.16

## ELECTROFUSION TAPPING SADDLE WITH VALVE

SDR 11 - PN 16



□C = square handling rod

- Boring after cooling is completed
- Suitable for application on pipelines under pressure gas 🔥 and water 💧
- Absolutely compulsory the pipe scraping in the welding area
- Integrated closing valve
- Handling rod with square conical connection of 13/15 mm

COD. 21.73.50

FIXED HANDLING ROD  
WITH PROTECTION PIPE

LENGTH (m)

0,75
1,25
1,50

COD. 21.73.60

TELESCOPIC HANDLING ROD  
WITH PROTECTION PIPE

LENGTH (m)

0,80 - 1,20
0,90 - 1,50
1,10 - 1,90
1,40 - 2,50

DIMENSIONS								WEIGHTS
dn	dn1	h	h1	h2	HT	Z	df	
75	32	80	128	74	260	125	30	2100
75	63	93	147	63	260	125	30	2200
90	32	80	128	70	267	125	30	2150
90	63	93	147	73	267	125	30	2250
110	32	80	128	69	278	160	30	2500
110	63	83	147	69	278	160	30	2600
125	32	80	128	84	285	160	30	2550
125	63	83	147	87	285	160	30	2700
140	32	83	128	96	293	160	30	2700
140	63	73	147	96	293	160	30	2800
160	32	80	128	104	303	160	30	2900
160	63	72	147	104	303	160	30	3000
180	32	80	128	110	313	160	30	3200
180	63	72	147	110	313	160	30	3350
200	32	80	128	126	323	160	30	3400
200	63	64	147	126	323	160	30	3450
225	32	80	128	140	336	160	30	3600
225	63	64	147	140	336	160	30	3650
250	32	80	128	151	349	160	30	4000
250	63	64	147	151	349	160	30	4100

df = cutter diameter

WELDABILITY ON PIPE/FITTING PE 100		
dn	SDR 17	SDR 11
75x	•	•
90x	•	•
110x	•	•
125x	•	•
140x	•	•
160x	•	•
180x	•	•
200x	•	•
225x	•	•
250x	•	•



# ELECTROFUSION WELDING UNITS

POLYVALENT WELDING UNIT //



COD. 12.19 SPP

## POLYVALENT ELECTROFUSION UNIT EURO SP1 PLUS



The electrofusion welding unit model Euro SP1 plus is a polyvalent unit suitable for the welding of all electrofusion fittings up to diameter d. 630. It allows to operator to work at safety voltage lower than 50 Volt, is manufactured according to UNI 10566 and ISO 12176-2 standards, as well as provided with CE mark.

The heating power is **automatically** adjusted, reading of the barcode by means of a scanner or **manual** entering of the 24 digits shown under the barcode, or manually by setting of the welding voltage and time. Automatically (scanner or 24 digits) the heating power is adjusted by the ambient temperature. The welding unit model Euro SP1 plus adopts the switching technology, which permits to be light and compact.

A display and the intuitive keyboard guide the operator during all operative phases of the programming, displaying the evolution of ambient temperature, the welding voltage and current, the cycle time, the progressive number of weldings and the possible error or malfunctioning messages.

When switching-on the supply voltage is measured and displayed for proper control.

The welding unit model Euro SP1 plus is enabled in the storing of the operator code, of the site location, of the welding data and hour and of the welding parameters.

The scanner is enabled for the reading of the raceability barcodes of fittings and pipes and allows the maximum operative ease in all site conditions.

The welding unit model Euro SP1 plus is supplied with USB connection port (pen drive is included) and serial port for the transfer of the welding data to the PC which afterwards can be used with DBManager Cloud for the management of the printing and storing operations.

The welding unit must be submitted to periodic overhaul (biennial) according to manufacturer and to standards UNI 10566 and ISO 12176-2.

## CHARACTERISTICS

supply voltage	230V -20% / +15%
frequency	50/60 Hz
output voltage	8 ÷ 48 V
inrush current	110 Amp
output current at 80%	80 Amp
max power consumption	4500 W
operating temperature	-10 °C +45 °C
port connections	USB/host - serial RS/232
protection	IP 54
working range	20 ÷ 630 mm
working modes	barcode reading and manual setting
welding barcodes according to ISO 13950	welding - Interleaved 2.5/24 digit
traceability barcodes according to ISO 12176/3/4	operator - Interleaved 2.5/30 digit traceability - 128/26/40 digit
barcode reading system	scanner
manual system	setting: time and voltage or 24 digit barcode sequence
welding cycle capacity	n. 1600
connectors	4.0 mm
ancillary connectors	4.7 mm
dimensions LxPxH	32x26x38 cm
weight	17 kg
ancillary equipment on request	GPS carry wood box



COD. 12.19 MID

## POLYVALENT ELECTROFUSION UNIT EURO MIDI



The electrofusion welding unit model Euro MIDI is a polyvalent unit suitable for the welding of all electrofusion fittings up to diameter d. 400. It allows to operator to work at safety voltage lower than 50 Volt, is manufactured according to UNI 10566 and ISO 12176-2 standards, as well as provided with CE mark.

The heating power is **automatically** adjusted, reading of the barcode by means of a scanner or **manual** entering of the 24 digits shown under the barcode, or manually by setting of the welding voltage and time. Automatically (scanner or 24 digits) the heating power is adjusted by the ambient temperature.

A display and the intuitive keyboard guide the operator during all operative phases of the programming, displaying the evolution of ambient temperature, the welding voltage and current, the cycle time, the progressive number of weldings and the possible error or malfunctioning messages.

When switching-on the supply voltage is measured and displayed for proper control.

The welding unit model Euro MIDI is enabled in the storing of the operator code, of the site location, of the welding data and hour and of the welding parameters.

The scanner is enabled for the reading of the traceability barcodes of fittings and pipes and allows the maximum operative ease in all site conditions.

The welding unit model Euro MIDI is supplied with USB connection port (pen drive is not included) to allow the transfer of the welding reports in PDF format to the PC.

The welding unit must be submitted to periodic overhaul (biennial) according to manufacturer and to standards UNI 10566 and ISO 12176-2.

## CHARACTERISTICS

supply voltage	230V +/-15%
frequency	50/60 Hz
output voltage	8 ÷ 48 V
inrush current	100 Amp
output current at 60%	75 Amp
max power consumption	4600 W
operating temperature	-10 °C +45 °C
port connections	USB 2.0 host
protection	IP 54
working range	20 ÷ 400 mm
working modes	barcode reading and manual setting
welding barcodes according to ISO 13950	welding - Interleaved 2.5/24 digit
traceability barcodes according to ISO 12176/3/4	operator - Interleaved 2.5/30 digit traceability - 128/26/40 digit
barcode reading system	scanner
manual system	setting: time and voltage or 24 digit barcode sequence
welding cycle capacity	n. 1000
connectors	4.0 mm
ancillary connectors	4.7 mm
dimensions LxPxH	25x32x26 cm
weight	19 kg
ancillary equipment on request	carry wood box

COD. 12.19 JUN

## POLYVALENT ELECTROFUSION UNIT EURO JUNIOR



The electrofusion welding unit model Euro JUNIOR is a polyvalent unit suitable for the welding of all electrofusion fittings up to diameter d. 160. It allows to operator to work at safety voltage lower than 50 Volt, is manufactured according to UNI 10566 and ISO 12176-2 standards, as well as provided with CE mark.

The heating power is **automatically** adjusted, reading of the barcode by means of a scanner or **manual** entering of the 24 digits shown under the barcode, or manually by setting of the welding voltage and time. Automatically (scanner or 24 digits) the heating power is adjusted by the ambient temperature.

A display and the intuitive keyboard guide the operator during all operative phases of the programming, displaying the evolution of ambient temperature, the welding voltage and current, the cycle time, the progressive number of weldings and the possible error or malfunctioning messages.

When switching-on the supply voltage is measured and displayed for proper control.

The welding unit model Euro JUNIOR is enabled in the storing of the operator code, of the site location, of the welding data and hour and of the welding parameters.

The scanner is enabled for the reading of the traceability barcodes of fittings and pipes and allows the maximum operative ease in all site conditions.

The welding unit model Euro JUNIOR is supplied with USB connection port (pen drive is not included) to allow the transfer of the welding reports in PDF format to the PC.

The welding unit must be submitted to periodic overhaul (biennial) according to manufacturer and to standards UNI 10566 and ISO 12176-2.

## CHARACTERISTICS

supply voltage	230V +/-15%
frequency	50/60 Hz
output voltage	8 ÷ 42 V
inrush current	60 Amp
output current at 60%	27 Amp
max power consumption	2300 W
operating temperature	-10 °C +45 °C
port connections	USB/host
protection	IP 54
working range	20 ÷ 160 mm
working modes	barcode reading and manual setting
welding barcodes according to ISO 13950	welding - Interleaved 2.5/24 digit
traceability barcodes according to ISO 12176/3/4	operator - Interleaved 2.5/30 digit traceability - 128/26/40 digit
barcode reading system	scanner
manual system	setting: time and voltage or 24 digit barcode sequence
welding cycle capacity	n. 500
connectors	4.0 mm
ancillary connectors	4.7 mm
dimensions LxPxH	24x17x25 cm
weight	12 kg
ancillary equipment on request	transport bag carry wood box

## // WELDING BARCODE

The barcode is an universally recognized system to store up information and to allow their reading by proper systems such as scanner or light pen.

For the electrofusion system of polyethylene, the BARCODE type INTERLEAVED “2-in-5” with 24 digits with control character according to standard ISO 13950.

The information stored in the code, and carried on the label, allow the suitable control unit to understand automatically the characteristics of the fitting to be welded and to consequently work.

The code stores all information necessary for the electrofusion cycle: type of fitting, diameter, fusion time and cooling time, control character of a correct reading, identification key.

The main characteristic of this system is to avoid any possibility of errors in the fixing from the operator, who must only acquire the data from the barcode and confirm manually the correct reading.

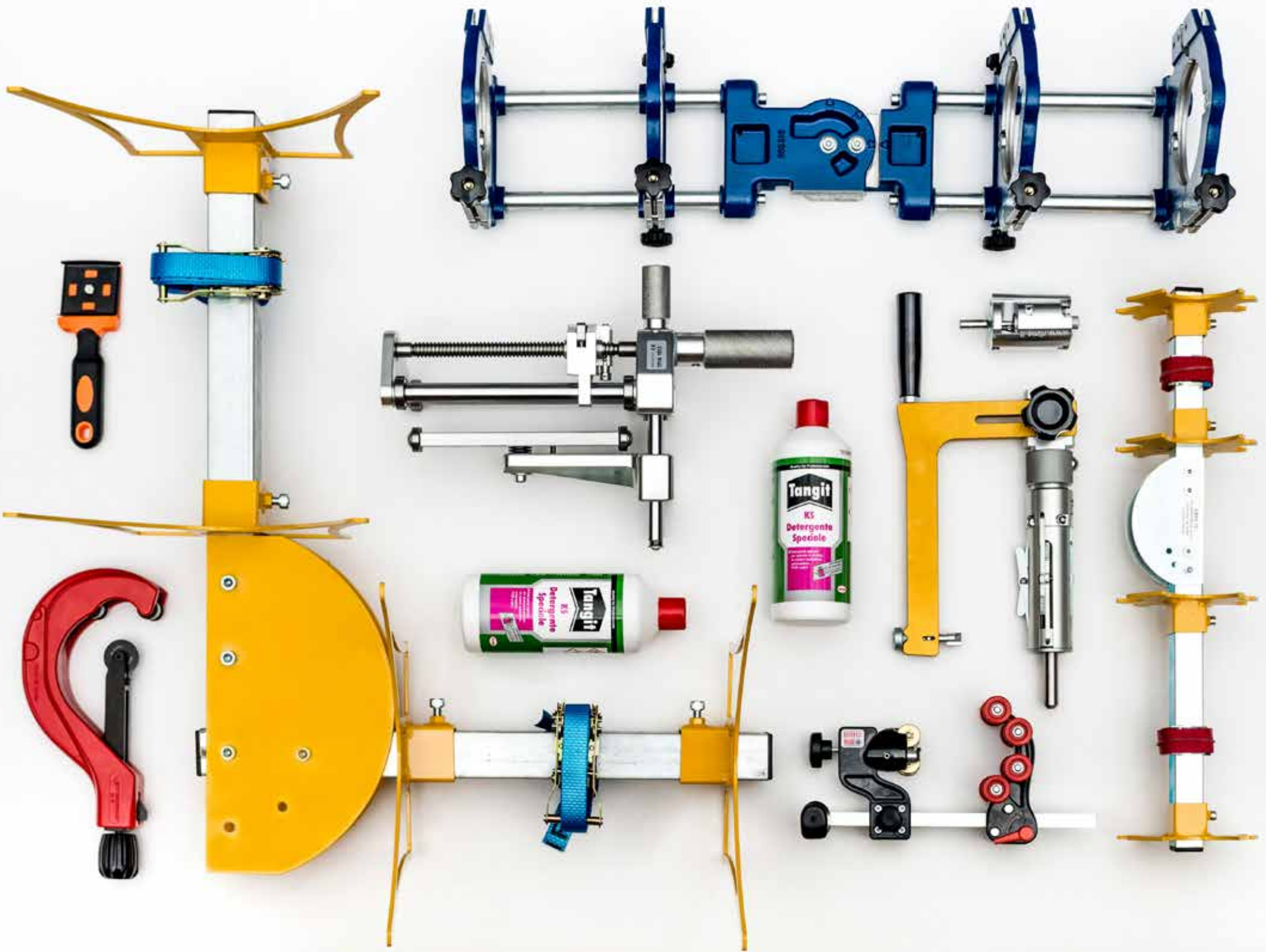
The guarantee of correct code reading is determined from the control character carried on the label.

Possible differences between the fitting connected to the control unit and the wrong reading of the code are shown on the display, which does not proceed in the memorized sequence.

## // TRACEABILITY BARCODE

It is an universally recognized system for “tracing” the information relative to the fitting and pipes welded (manufacturer, type of fitting, batch, raw material, production site, etc). All these information are stored in the BARCODE LABEL type CODE 128 with 26 digits with control character according to standard ISO 12176-4.

The reading of the barcode with optical pen/scanner on universal units allow to store all traceability data inside the ef unit and the subsequent transfer to PC, obtaining a complete traceability of the welding operations of the fittings.



# ACCESSORIES

ALIGNING CLAMP // PIPE CUTTER // PIPE SCRAPER //  
DETERGENT //

## // ALIGNING CLAMP

Protects the jointing, either during the electrofusion or the subsequent cooling, from external mechanical stresses, allows to revise possible off-centering between both ends to be welded and to recover the out-of-round of parts, if ovalized.

The aligning clamp is auxiliary to the control unit, its use is essential for the successful electrofusion jointing.

Simultaneous use of multiple aligning clamps will positively affect the speed of installation.



COD. 12.32/45/54



COD. 12.62



COD. 12.65/66



COD. 12.67

<b>COD. 12.32</b>	aligning clamp with movable joint and 4 jaws diam. 63 mm complete with reducing inserts diam. 20-25-32-40-50 mm
<b>COD. 12.45</b>	aligning clamp with movable joint and 4 jaws diam. 125 mm complete with reducing inserts diam. 20-25-32-40-50-63-75-90-110 mm
<b>COD. 12.54</b>	aligning clamp with movable joint and 4 jaws diam. 225 mm
<b>COD. 12.55</b>	series reducing inserts diam. 140
<b>COD. 12.56</b>	series reducing inserts diam. 160
<b>COD. 12.57</b>	series reducing inserts diam. 180
<b>COD. 12.58</b>	series reducing inserts diam. 200
<b>COD. 12.62</b>	aligning clamp with belt diam. 140 - 630 mm
<b>COD. 12.65</b>	aligning clamp with movable joint - type EASY-75 suitable for the welding of diam. 20 ÷ 75 mm
<b>COD. 12.66</b>	aligning clamp with movable joint - type EASY-125 suitable for the welding of diam. 32 ÷ 125 mm
<b>COD. 12.67</b>	aligning clamp with movable joint - type EASY-315 suitable for the welding of diam. 140 ÷ 315 mm



## // PIPE CUTTER

A square cut of the pipe to be welded is carried by means of a pipe cutter, type with roller or with tool; choosing the type, it is important to verify the diameter according to the thickness of the pipe to be cut.



COD. 15.39/40/41

## // PIPE SCRAPER

For the removal of the oxide layer on pipes/fittings are used manual scrapers with straight interchangeable blade and pipe scrapers, type mechanical which are fastened on the pipe end.

The use of this equipment means the perfect flatness of the pipe end, which is only achieved with the pipe cutter.



COD. 15.44



COD. 15.42



COD. 15.47/48



COD. 15.49



COD. 15.51/52



COD. 15.45

### PIPE CUTTER

COD. 15.39	diam. 20 - 63 mm (max cut thickness 7 mm)
COD. 15.40	diam. 50 - 125 mm (max cut thickness 13 mm)
COD. 15.41	diam. 110 - 160 mm (max cut thickness 16 mm)

### MANUAL SCRAPER

COD. 15.42	cutter usable on 4 sides by overturning on the central screw
------------	--

### PIPE SCRAPER

COD. 15.47	type PS-180 diam. 75 - 180 mm
COD. 15.48	type PS-400 diam. 125 - 400 mm
COD. 15.44	type RTC-315 diam. 75 - 315 mm
COD. 15.45	type CHAIN diam. 250 - 800 mm

### PIPE SCRAPER EURO-DRILL

COD. 15.49/20	diam. 20 mm
COD. 15.49/25	diam. 25 mm
COD. 15.49/32	diam. 32 mm
COD. 15.49/40	diam. 40 mm
COD. 15.49/50	diam. 50 mm
COD. 15.49/63	diam. 63 mm

### ORBITAL PIPE SCRAPER

COD. 15.51	type EURO 125 suitable for the pipe scraping from diam. 25 up to 125 mm
COD. 15.52	type EURO 200 suitable for the pipe scraping from diam. 63 up to 200 mm

# // DETERGENT

Special detergent for polyethylene (PE) and polypropylene (PP) weldings



COD. 15.50

<b>chemical feature</b>	mixture of aliphatic solvents
<b>specific weight</b>	ca. 0,7 g/cm <sup>3</sup>
<b>packing</b>	nr. 8 plastic bottles of 1 liter each

---

\_ Detergent suitable for the cleaning in the welding process of PE pipes and fittings







# // BUTTFUSION WELDING UNITS

The buttfusion welding unit model TE is built according to the UNI 10565 standard, is provided with CE marking and guarantees:

- a correct axial adjustment/movement of the pipes through the clamps;
- a proper and true facing of the pipes/fittings through the facer tool;
- an accurate control of the welding pressure and of the temperature of the heating plate;
- the conformity to the safety standard regulations.

Each machine can butt weld different diameters; according to the pipe diameter, the reducing inserts are fitted into the standard clamps.

The buttfusion machine consists of a supporting mounting with fixed and movable clamps. Those movable, hydraulically driven with manual or electrical control, are rolling on two guides. The machine is provided with an electrical facer tool, an electrically heating plate, an electro-hydraulic unit with distributor and pressure gauge with manometer. The heating plate guarantees uniform temperature on its whole surface. The temperature control is carried out with an adjustable thermostat which guarantees a maximal variation of  $\pm 2$  °C of the stated temperature.

The buttfusion units are provided with industrial plug, IEC standards protective measures, 2 poles + earth 16A - 220V.

The welding unit must be submitted to periodic overhaul (biennial) according to manufacturer and UNI 11732 standard.

CHARACTERISTICS	TE 160	TE 200	TE 250	TE 315
<b>Maximal power</b>				
Hydraulic unit	370 W	370 W	370 W	750 W
Facer tool	800 W	800 W	1000 W	1150 W
Heating plate	1000 W	1420 W	2300 W	3000 W
<b>Weight (kg)</b>				
Base mounting	35,0	46,0	45,0	78,0
Hydraulic unit	26,0	26,0	26,0	28,0
Facer tool	11,0	13,0	14,5	27,0
Heating plate	5,0	6,5	10,0	13,0
<b>Supply voltage</b>	230V $\pm$ 10% - 50 Hz			







**EURO**

**STANDARD**

## FILIALI // BRANCHES

EUROSTANDARD CHILE SA  
Camino la Botella 499  
PUDAHUEL SANTIAGO  
CHILE

SIA EUROSTANDARD NORDIC  
Katlakalna Iela, 9  
LV-1073 RIGA  
LATVIA

EUROSTANDARD AFRICA (PTY) LTD  
Unit 12, Paramount Park  
74 Siphosethu Road  
4320 MOUNT EDGECOMBE - DURBAN  
SOUTH AFRICA



EUROSTANDARD S.p.A.

Zona Industriale Lago 22  
38038 Tesero (TN) - ITALIA  
info@eurostandard.it  
T +39 0462 811 211  
F +39 0462 811 200  
www.eurostandard.it